



Promote fitness and comfort as you compute with the WORK20, a dual-screen, height-adjustable workstation that moves your keyboard and displays in one simple motion, allowing you to sit or stand throughout the day. The ActionMount Series by OmniMount is a complete line of simple solutions designed to help you take a stand against Sitting Disease by promoting healthy movement throughout the workday while keeping your desk organized. Learn more at [JustStand.org](http://JustStand.org).

## Product Benefits

- Smooth vertical lift allows you to improve your energy and productivity by standing or sitting as you work, and then switch positions whenever you choose
- Patented Constant Force technology provides fluid, one-touch adjustments of the keyboard and monitors – no knobs or levers required
- Arm rotates 180°, allowing it to be folded flat against the wall when you need more desk space
- Arm can be clamped on the rear or the side of the desk with a small footprint, making it ideal for small workspaces and corners
- Monitors can be mounted in 4 pre-set locations at 2" increments
- Keyboard tray offers a 3° tilt (upward) to ensure wrists remain in a neutral position during data entry, and can be flipped up 90° when not in use
- Integrated cable management hides wires
- Easy to install in three simple steps

- Includes hardware for desk clamp and grommet mounting

## Product Specifications

**Fits (2) LCDs:** Up to 22"

**Supports:** 9–20 lbs (4.1–9.1 kg)

**Vertical lift:** 20" (508mm)

**Maximum extension:** 42" (1066mm) from wall

**VESA compliant:** 75wx75h & 100wx100h

**Warranty:** 5 year

**Color:** Platinum

## Series



WORK15



WORK20



The WORK20 is equipped with patented Constant Force technology providing fluid, one-touch adjustments of the keyboard and monitor positions for personalized computing.

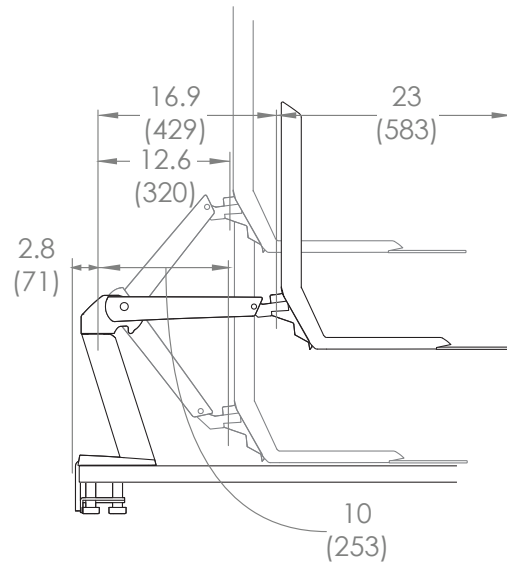
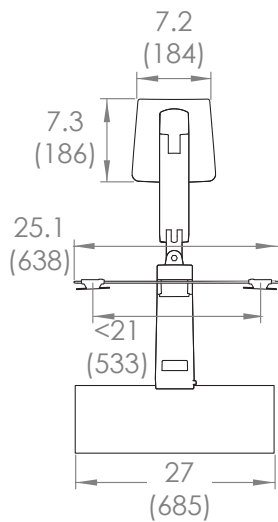
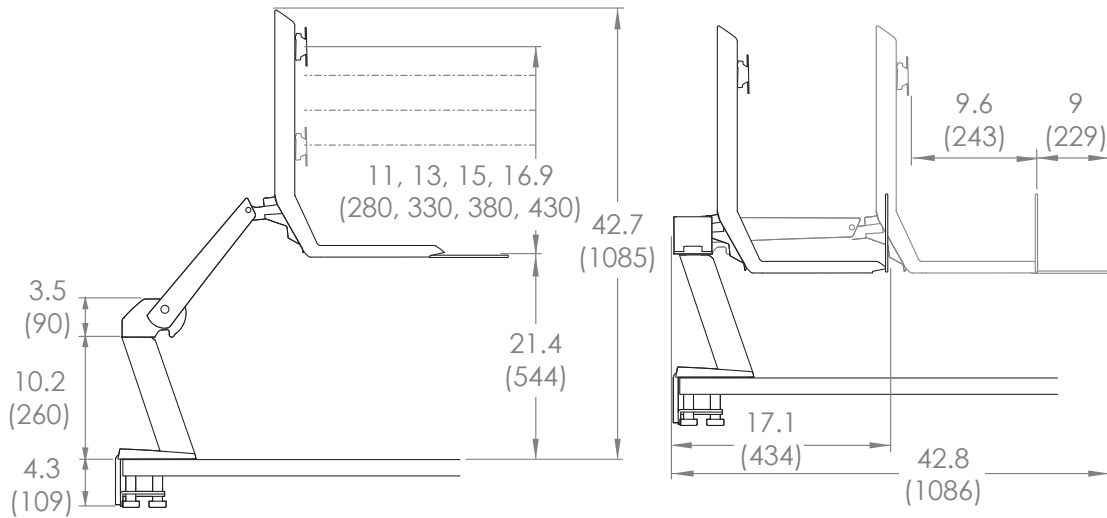
\*Subject to change

**800.MOUNT.IT (800.668.6848)**



05142012

# WORK20 technical data sheet



inches (mm)

	Packaging UPC	MC UPC
Americas	698833020373	NA
International	698833020373	NA

	Dimensions WxDxH Inches (mm)	Wt lbs (kg)	Qty
Box	37.3 x 21 x 12 (947x533x305)	49.5 (22.5)	NA
MC	NA	NA	NA

Box Contents	Qty
Height-adjustable arm	1
Desk clamp	1
Optional grommet mount kit	1
Crossbar	1

Box Contents	Qty
LCD pivot	2
Keyboard tray	1
Instruction manual	1
Complete hardware kit	1

