

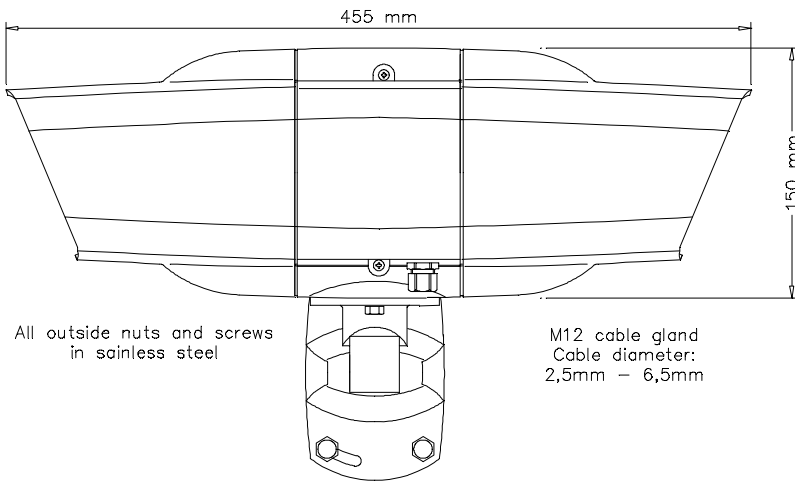


DNH

DPD-30(T)

Morrison's Public Address
 Email sales@morrisonstav.com.au
 Phone: 08 94931196

ISO 9001 CERTIFIED

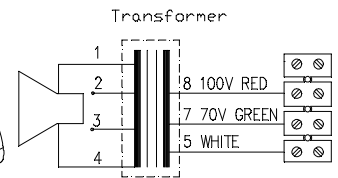


All outside nuts and screws in stainless steel

M12 cable gland
 Cable diameter:
 2,5mm – 6,5mm

Optional with stainless steel bracket

CIRCUIT DIAGRAM



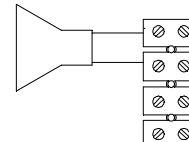
70/100 Volt combined transformer Primary connections

White : Green 70 V
 White : Red 100 V

Secondary nominal tapings

1 : 4	30,0W
1 : 3	15,0W
2 : 4	10,0W
1 : 2	7,5 W
3 : 4	3,5 W
2 : 3	2,0 W

Low impedance



Sound pressure levels at 1W/1m counter phase

SPL vs Freq



Specifications

Material / Color	Ronfalin 5VA /RAL 7035
Mounting	Polyamide Swivel Bracket
Termination	Screw terminal
Weight w/transformer	4,2 kg
IP-rating	55
Max. / min. amb. temp	150°C / -40°C
Rated / max. power	30 W / 50 W
SPL 1W/1m	88 dB
SPL rated power	101 dB
Effective freq. range	80 – 20000 Hz
Dispersion (-6dB) 1kHz / 4kHz	2x145° / 2x87° (Bidirectional) Hor.
Options	Impedances, colors, labels

Installation, Operation and Maintenance Procedures

- Fasten the DP bracket to wall or ceiling with 2-4 screws. Install the loudspeaker on swivel bracket with the two enclosed bolts and washers. This unique bracket system allows multiple positioning options. Find the preferable position of the loudspeaker and secure the position with tightening the extra hexagonal screw on bracket.
- Remove the lid on the side of the loudspeaker.
- Connect to terminal (70V or 100V) and select required tapping in to the transformer.
- For optimum performance, always use the correct voltage / power and operate within the frequency limits as stated.
- Do not open while energized (100 V).
- This loudspeaker is supplied with a two years warranty against defective workmanship.

DNH reserves the right to alter specifications without notice

