



DNH

HEAD OFFICE, NORWAY

DNH AS

Phone..... + 47 35 98 56 00

Fax..... + 47 35 98 56 10

E-mail..... dnh@dnh.no

Web-Site..... www.dnh.no

ENGLAND

DNH WW Ltd

Phone..... + 44 1908 275 000

Fax..... + 44 1908 275 100

E-mail..... dnh@dnh.co.uk

GERMANY

DNH GmbH

Phone... + 49 040 6569 30-0

Fax..... + 49 040 6569 30-30

E-mail..... dnh@dnh.de

USA

DNH Speakers Inc

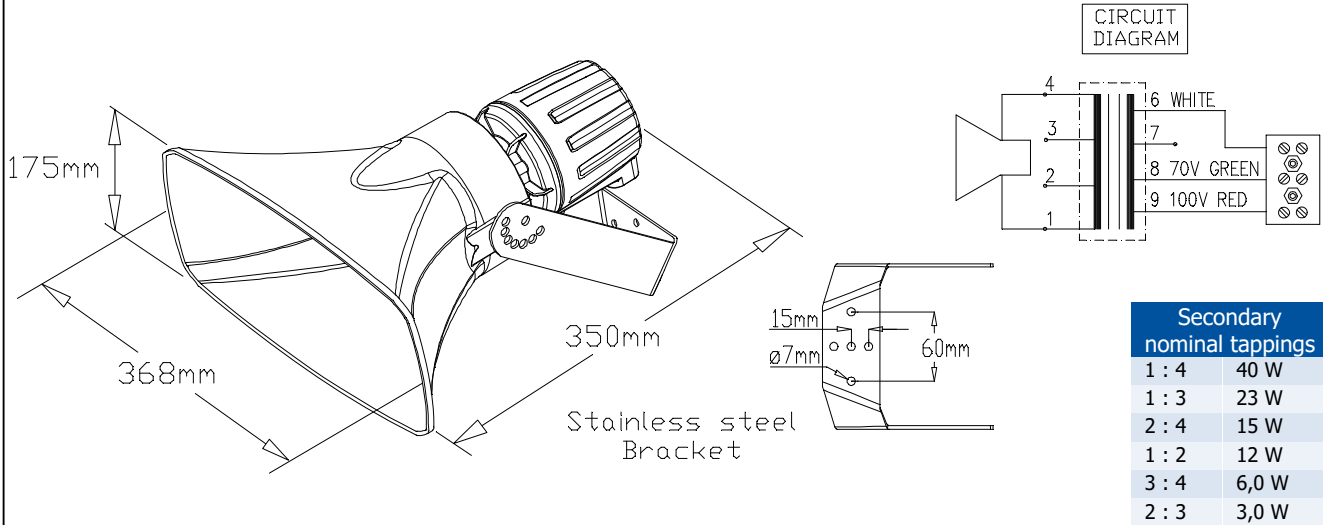
Phone..... + 1 484 494 5790

Fax..... + 1 484 494 5793

E-mail..dnh@dnhspeakers.com

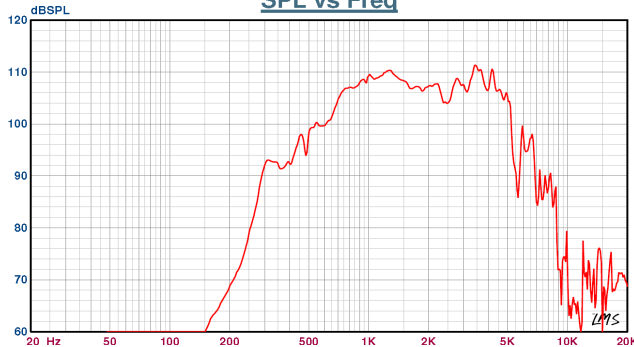
ISO 9001 CERTIFIED

DHP/DUP-40(T)



Sound pressure levels at 1W/1m

SPL vs Freq



Specifications

Material / Color	Anti-static PA /PAGF / Black
Mounting	Threaded UNEF - 18, Bracket
Termination	Ceramic terminal
Weight w/transformer	2,7 kg
IP-rating with DUP-40	67
Max. / min. amb. temp	110°C / -50°C
Rated power	40W
SPL 1W/1m	110 dB
SPL rated power	126 dB
Effective freq. range	300 – 7000 Hz
Dispersion (-6dB) 1kHz / 4kHz	62°/40°
Options	Impedances, colors, labels

Installation, Operation and Maintenance Procedures

- Screw the driver unit (DUP-40T) into the horn with 2 ring gaskets provided until the driver is in contact with the gaskets, then continue screwing the driver for 180° to 270°. UNEF 1 3/8 -18 thread.
- Remove lid. Lead cable through cable gland, connect wires to the terminal, and turn lid back on with gasket. Fasten lid with a torque of 2 Nm.
- Fasten the bracket to wall with minimum two screws.
- To change the position of the loudspeaker, please adjust the bracket by loosening / tightening the screws as required.
- For optimum performance, always use the correct voltage / power and operate within the frequency limits as stated.
- Do not open loudspeaker when energized.
- This loudspeaker is supplied with two years warranty against defective workmanship.

DNH reserves the right to alter specifications without notice.

