



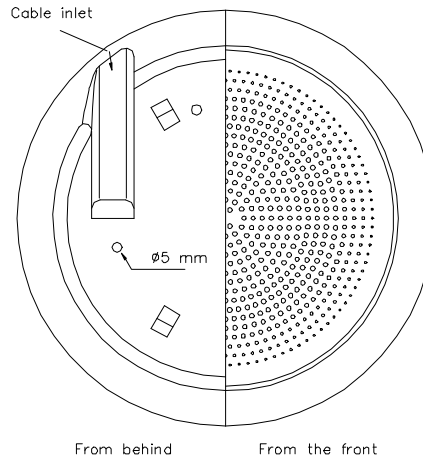
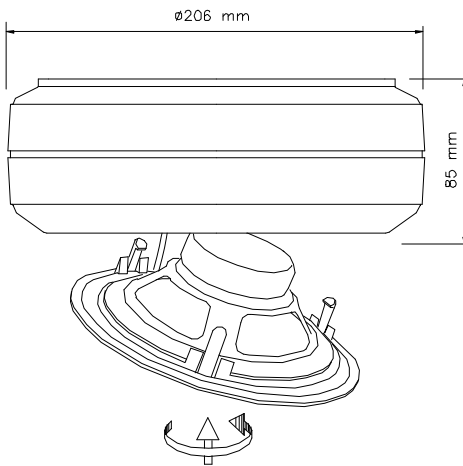
# DNH

DNH AS

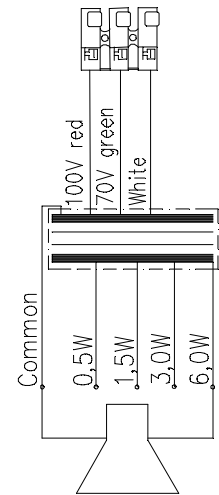
## BLC-550CR(T)

Morrison's Public Address  
Email: [sales@morrison sav.com.au](mailto:sales@morrison sav.com.au)  
Phone: 0407442822

ISO 9001 CERTIFIED



Circuit diagram



Sound pressure levels at 1W/1m

SPL vs Freq



Specifications

Material / Color	ABS / RAL 9010
Mounting	Screws (max $\varnothing$ 5mm)
Termination	Spring clamp
Weight w/transformer	1,1 kg
IP-rating	NA
Max. / min. amb. temp	90°C / -20°C
Rated / max. power	6 W / 15 W
SPL 1W/1m	88 dB
SPL rated power	95 dB
Effective freq. range	140 – 12000 Hz
Dispersion (-6dB) 1kHz / 4kHz	160° / 65°
Options	Impedances, colors, labels

### Installation, Operation and Maintenance Procedures

- When mounting the loudspeaker please ensure that it is re-assembled in the same manner in which it was received.
- BLC-550CR(T) is designed for clean room applications.
- Screw the cabinet to wall or ceiling (max  $\varnothing$ 5mm screws), select required tapping.
- Connect cable to terminal 70V (white – green) or 100V (white – red).
- Screw the loudspeaker grill gently clockwise into fixed position as shown above.
- For optimum performance, always use the correct voltage / power and operate within the frequency limits as stated.
- Do not open loudspeaker when energized.
- This loudspeaker is supplied with a two years warranty against defective workmanship.

DNH reserves the right to alter specifications without notice

