



# DNH

*HEAD OFFICE, NORWAY*

**DNH AS**

Phone..... + 47 35 98 56 00

Fax..... + 47 35 98 56 10

E-mail..... dnh@dnh.no

Web-Site..... www.dnh.no

*ENGLAND*

**DNH WW Ltd**

Phone..... + 44 1908 275 000

Fax..... + 44 1908 275 100

E-mail..... dnh@dnh.co.uk

*GERMANY*

**DNH GmbH**

Phone... + 49 040 6569 30-0

Fax..... + 49 040 6569 30-30

E-mail..... dnh@dnh.de

*USA*

**DNH Speakers Inc**

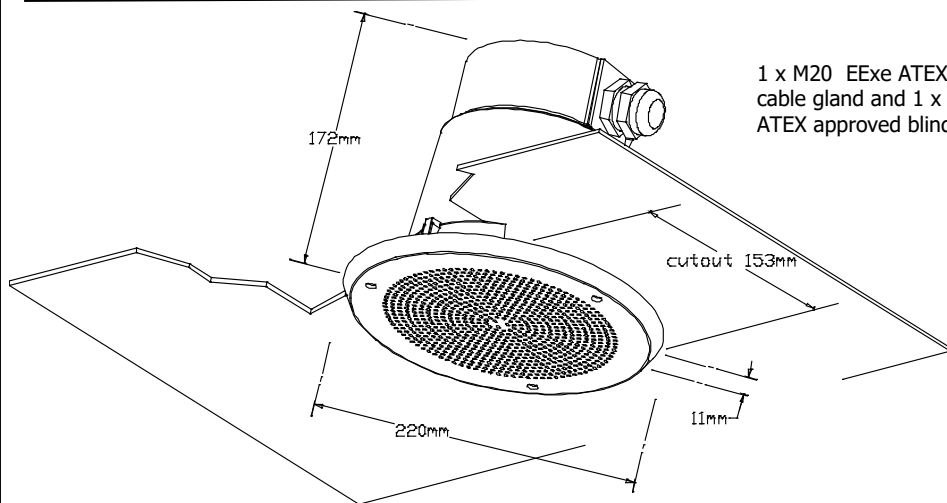
Phone..... + 1 484 494 5790

Fax..... + 1 484 494 5793

E-mail..... dnh@dnhspeakers.com

## BA-56EExeN(T)MF

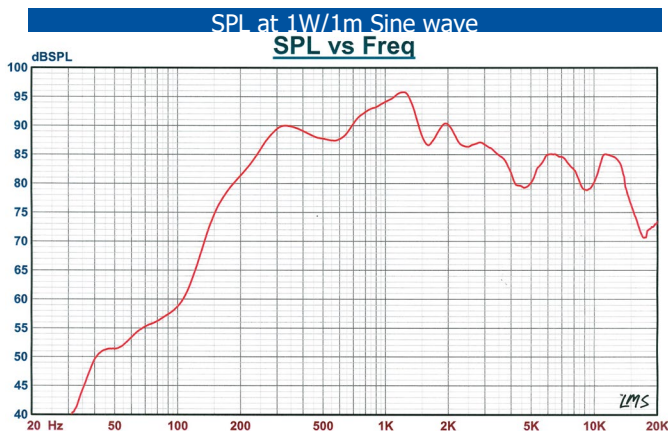
ISO 9001 CERTIFIED



100V transformer Primary nominal tapings		
Black (1) : Blue (1)	6,0 W	
Blue (1) : Black (2)	3,0 W	
Black (2) : Blue (2)	1,5 W	
Black (1) : Black (2)	1,0 W	
Blue (1) : Blue (2)	0,5 W	
Black (1) : Blue (2)	0,3 W	

Certified by/ Certification code / Number : NEMKO / EEx de IIB+H2 T6 Gb / 10ATEX1050

Delivered with permanent BFOU(c) encapsulated cable.



Specifications	
Material / Color	Aluminum / RAL 9010
Mounting	3 screws
Termination	Cable
Weight w/transformer	3,5
IP-rating	67 (e-chamber)
Max. / min. amb. temp	50°C / -20°C
Rated / max. power	2 W / 6 W
SPL 1W/1m	88 dB
SPL rated power	91 dB
Effective freq. range	160 – 15000 Hz
Dispersion (-6dB) 1kHz / 4kHz	120° / 55°
Directivity factor, Q(2kHz)	
Options	Impedance, colors, labels

### Installation, Operation and Maintenance Procedures

- BA-56EExeN(T)MF is maintenance free, not to be opened.
- BA-56EExeN(T)MF is delivered with permanent cable and molded e-chamber.
- Connect cable according to required tapping.
- If earthing, use the specially marked screw.
- Secure the loudspeaker to ceiling or wall by three screws and then mount the grill to the speaker with three screws (enclosed).
- For optimum performance, always use the correct voltage / power and operate within the frequency limits as stated.
- This loudspeaker is supplied with two years warranty against defective workmanship.

DNH reserves the right to alter specifications without notice

