



# DNH

HEAD OFFICE, NORWAY  
DNH AS

Phone..... + 47 35 98 56 00  
Fax..... + 47 35 98 56 10  
E-mail..... dnh@dnh.no  
Web-Site..... www.dnh.no

ENGLAND  
DNH WW Ltd

Phone..... + 44 1908 275 000  
Fax..... + 44 1908 275 100  
E-mail..... dnh@dnh.co.uk

GERMANY  
DNH GmbH

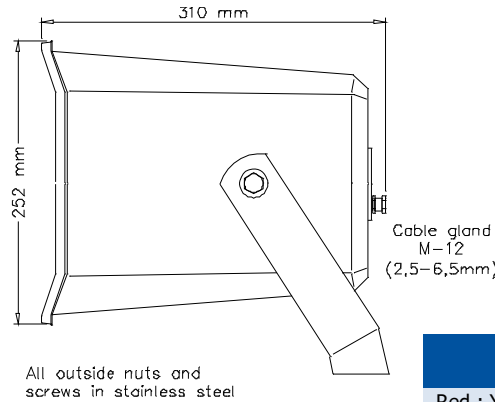
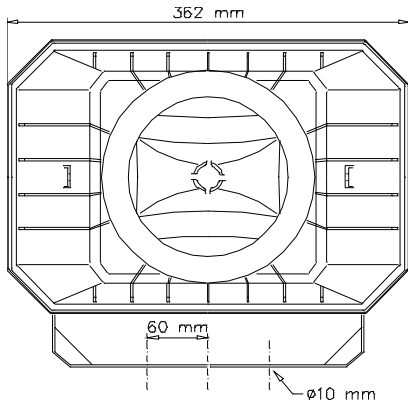
Phone... + 49 040 6569 30-0  
Fax..... + 49 040 6569 30-30  
E-mail..... dnh@dnh.de

USA  
DNH Speakers Inc

Phone..... + 1 484 494 5790  
Fax..... + 1 484 494 5793  
E-mail..... dnh@dnhspeakers.com

ISO 9001 CERTIFIED

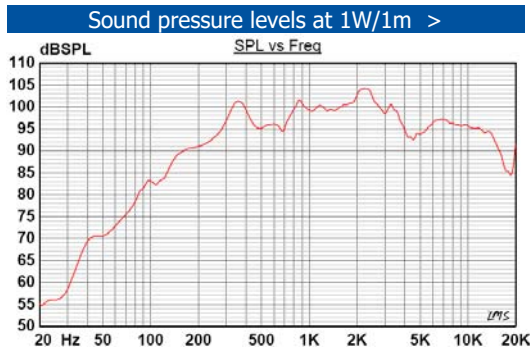
## MH-30-54T



All outside nuts and screws in stainless steel

**Tested acc. To EN54-24:2008**  
**Type: B**  
**Manufactured by DNH A/S**  
**Kragerø, Norway**  
**19 1438-CPR-0695**

100V transformer Primary nominal tappings		
Red : Yellow	30,0 W	Imp 333 Ohm
Yellow : Green	15,0 W	Imp 667 Ohm
Green : Blue	7,5 W	Imp 1333 Ohm
Red : Green	5,5 W	Imp 1818 Ohm
Yellow : Blue	2,7 W	Imp 3703 Ohm
Red : Blue	2,0 W	Imp 5000 Ohm



Specifications acc. testing CNBOP / DNH	
Material / Color	ABS 5VB / RAL 7035
Mounting	Aluminum bracket
Termination	Screw terminal in termination chamber
Weight w/transformer	3,9 kg
IP-rating	33C / 55
Max. / min. amb. temp	70°C to -25°C / 90°C to -40°C
Rated / max. power	30 W / 50 W
Sensitivity 1W/4m	83 dB
SPL 30W/4m	95,9 dB
Effective freq. range	140 – 16000 Hz
Dispersion (-6dB) 1kHz / 4kHz	65° / 30°
Options	Impedances, colors, labels

Horizontal / vertical coverage angles (±6dB)			
		HCA	VCA
1 Oct. Pink noise	500Hz	205°	215°
1 Oct. Pink noise	1KHz	75°	100°
1 Oct. Pink noise	2KHz	67,5°	100°
1 Oct. Pink noise	4KHz	82,5°	130°

### Installation, Operation and Maintenance Procedures

- Unscrew lid, lead cable through cable gland and connect to terminal according to required power or 8Ω red : black.
- Tighten cable gland and fasten termination chamber lid with a torque of 1-2 Nm to assure IP grade.
- Fasten the bracket to wall or ceiling with three screws.
- To change the position of the loudspeaker, please adjust the bracket (by loosening / tightening the screws) as required.
- For optimum performance, always use the correct voltage / power and operate within the frequency limits as stated.
- Do not open loudspeaker when energized.
- This loudspeaker is supplied with two years warranty against defective workmanship.

DNH reserves the right to alter specifications without notice

