

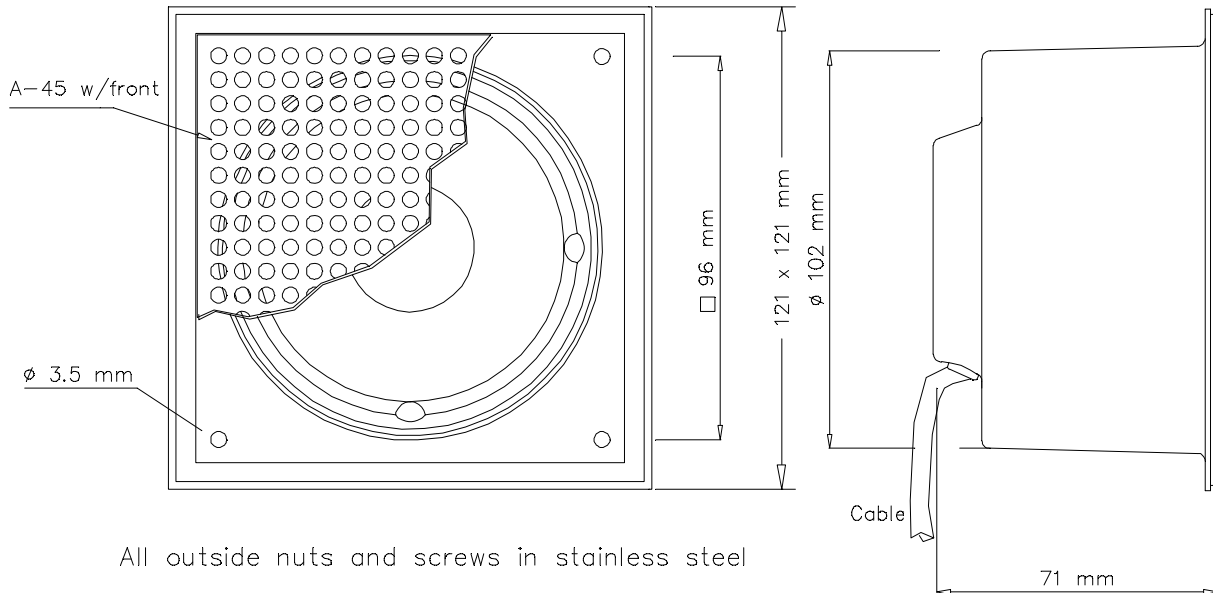


# DNH

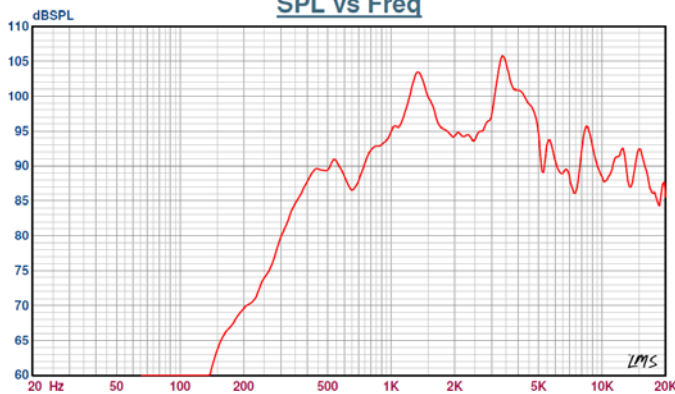
## A-45

Morrison's Public Address  
Email: sales@morrisonssav.com.au  
Phone: 0407442822

ISO 9001 CERTIFIED



Sound pressure levels at 1W/1m Sine wave MP-2,5  
**SPL vs Freq**



### Specifications

Material / Color	PA6 and aluminum / RAL 7035
Mounting	4 screws
Termination	Cable, 0.5 m
Weight w/transformer	0,39 kg
IP-rating	67
Max. / min. amb. temp	140°C / -40°C
Rated / max. power	6 W / 10 W
SPL 1W/1m	101 dB
SPL rated power	107 dB
Effective freq. range	300 – 20000 Hz
Dispersion (-6dB) 1kHz / 4kHz	NA
Directivity factor, Q	NA
Options	Impedance, colors, labels

### Installation, Operation and Maintenance Procedures

- Fasten loudspeaker to wall or ceiling with 4 screws, cut out hole according to drawing.
- A-45 is delivered with a cable and the cable should be terminated in a suitable junction box.
- A-45 can be delivered with front grill on request.
- A-45 is designed for flush mounting.
- For optimum performance, always use the correct voltage / power and operate within the frequency limits as stated.
- This loudspeaker is supplied with a 2 year warranty against defective workmanship.

DNH reserves the right to alter specifications without notice

