

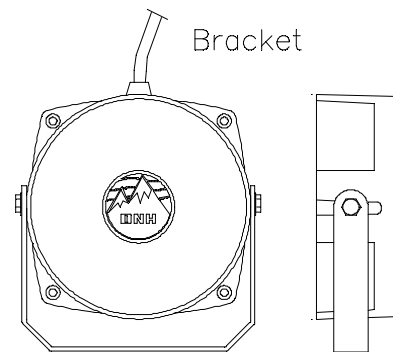
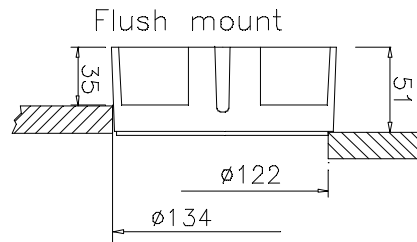
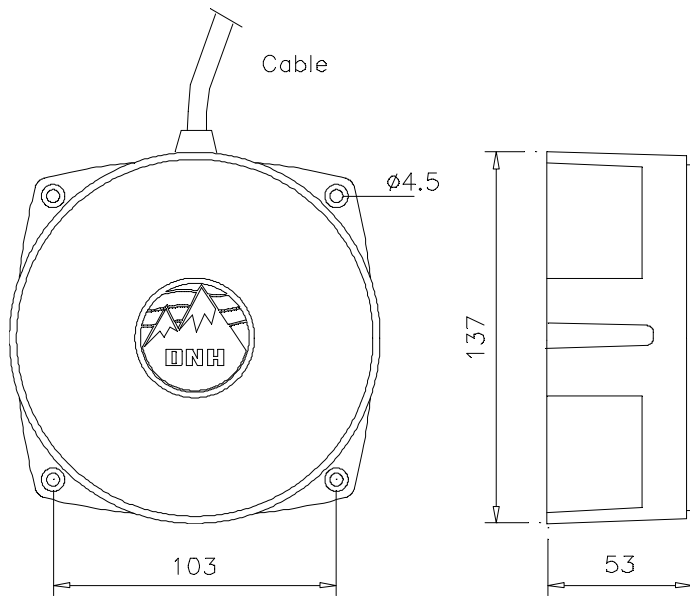


DNH

CR-6(T)

Morrison's Public Address
Email: sales@morrison sav.com.au
Phone: 0407442822

ISO 9001 CERTIFIED



100 V transformer Primary tapings	
Red : Yellow	6 W
Red : Green	3 W
Red : Blue	1,5 W

8Ω version	
Red : Blue	

Sound pressure levels at 1W/1m
SPL vs Freq



Specifications

Material / Color	ASA / RAL 9010
Mounting	4 screws or bracket
Termination	Cable, 1 m
Weight w/transformer	2,2 kg
IP-rating	67
Max. / min. amb. temp	90°C / -20°C
Rated / max. power	6 W / 30 W
SPL 1W/1m	85 dB
SPL rated power	93 dB
Effective freq. range	280 – 20000 Hz
Dispersion (-6dB) 1kHz / 4kHz	180° / 130°
Directivity factor, Q	
Options	Impedances, colors, labels

Installation, Operation and Maintenance Procedures

- Use 4 screws for mounting on wall, alternative flush mounting.
- When mounting with bracket, use the slit on each side to connect the bracket to the loudspeaker.
- CR-6 (T) is designed for clean room applications.
- Do not install this loudspeaker under water when operated with 100V line.
- For optimum performance, always use the correct voltage / power and operate within the frequency limits as stated.
- Do not open loudspeaker when energized.
- This loudspeaker is supplied with a 2 year warranty against defective workmanship.

DNH reserves the right to alter specifications without notice

