

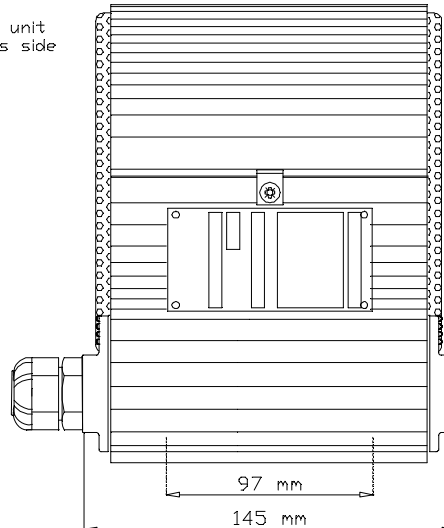
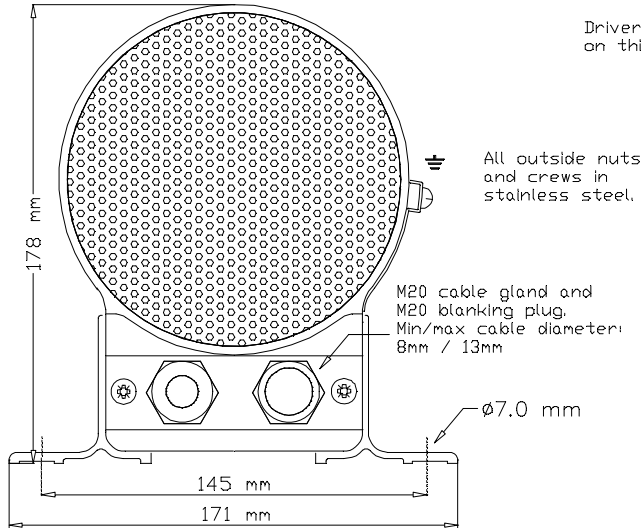


DNH

CAREEX-6(T)

Morrison's Public Address
Phone: 0407442822
Email: sales@morrison sav.com.au

ISO 9001 CERTIFIED




Transformer:
100 V line (optional 70V, 50V)

Primary nominal tapings:

1 : 2	6,0 W
2 : 3	3,0 W
3 : 4	1,5 W
1 : 3	1,0 W
2 : 4	0,5 W
1 : 4	0,3 W

1 = Red, 2 = Yellow
3 = Green, 4 = Blue

Certified by/ Certification code / Number: NEMKO / EEx de IIB+H2 T6 Gb/ Nemko 10 ATEX 1054  II 2 G
IECEx NEM 11.0016

Sound pressure levels at different frequencies at 1W/1m

SPL vs Freq



Material / Color Aluminum / anodized
 Mounting Foot Bracket
 Termination e-chamber, screw terminals
 Weight w/ transformer 3,6 kg
 IP-rating (e-chamber) 67
 Max / min amb temp 40°C / -20°C
 Rated / max power 6 W / 6 W
 SPL 1W/1m 90 dB
 SPL rated power 97 dB
 Effective freq range 160 – 16000 Hz
 Dispersion (-6dB) 1kHz / 4kHz 180° / 90°
 Options Impedances, colors, labels

Installation, Operation and Maintenance Procedures

- When mounting the loudspeaker please ensure that it is re-assembled in the same manner in which it was received.
- Fasten loudspeaker to wall or ceiling with 4 screws by use of the extruded aluminum brackets on each side.
- Enter the e-chamber by loosening the screws on the lid and terminate the cable in the screw terminal.
- Fasten lid screws with a torque of 2 - 3 Nm to assure the IP rating.
- For optimum performance, always use the correct voltage / power and operate within the frequency limits as stated.
- Use only certified/specified cable glands and blanking plugs.
- Do not open loudspeaker when energized.
- Ex-loudspeakers must be earthed correctly using the specially marked screws.



DNH reserves the right to alter specifications without notice

Rev. 23.04.2012