

DNH

Loudspeakers



< Makes the world sound >



“The original



“MORE THAN 60 SOUND YEARS”

DNH Design™



DNH designs and manufactures one of the world's largest range of loudspeakers.

Since the company was established in 1946, DNH is renowned as a supplier of high quality products.

All DNH products are engineered and designed in Norway, and almost 90% are exported around the world.

In addition to the strong niche products such as flameproof, weatherproof, vandal-proof and shockproof speakers, DNH is known for its ability to tailor products according to the customers demands.

Due to the fact that DNH manufactures almost all the components of the speaker, "non-standard" requirements such as special colour, special transformers and different cable entries can be supplied.

index

| | |
|--------------------------|-------|
| Plastic Horn Speakers | 4-5 |
| Metal Horn Speakers | 6-7 |
| Music Horn Speakers | 8-9 |
| Alarm Horn Speakers | 8-9 |
| EEx Speakers | 10-11 |
| Music Masters | 12-13 |
| Cabinet Speakers | 14-15 |
| Projectors | 16-17 |
| Metal Ceiling Speakers | 18-19 |
| Plastic Ceiling Speakers | 20-21 |
| Specialities | 22-23 |
| Voice Alarm | 22-23 |
| Clean Room Speakers | 22-23 |

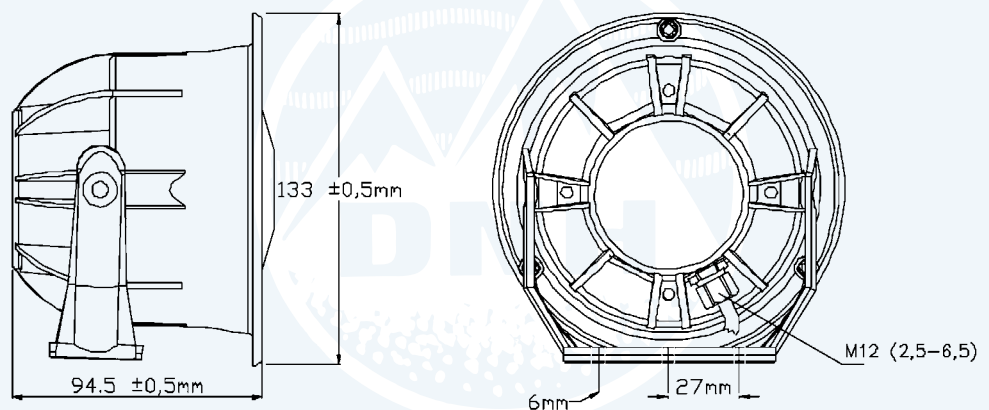


Plastic Horn Speakers

DNH proudly present this exciting range of high quality plastic horn loudspeakers. The HP series can be installed in all manner of harsh environments, both internal and external for public address and intercom uses.

Their frequency range and high sensitivity, combined with high corrosion resistance and pleasing design make the products stand out in terms of quality and performance.

Excellent for PA and alarm systems on ferries, railways, airports and industrial installations.



| Model | HP-6 | HP-6C | HPS-6 | HP-8 | VEH-6 | BIVEH-6 |
|--------------------------|-----------------|-----------------|-----------------|------------------|--------------|--------------|
| Material/Colour | PA/RAL 7035 | PA/RAL 7035 | PA/RAL 7035 | PA/RAL 7035 | ABS/RAL 7035 | ABS/RAL 7035 |
| Rated/max power, Watt | 6W/ 15W | 6W/ 15W | 6W/ 15W | 8W/ 15W | 6W/ 6W | 6W/ 10W |
| SPL/1W/1m(dB) | 101 dB | 101 dB | 101 dB | 101 dB | 103 dB | 103 dB |
| Effective freq.range, Hz | 500-7500 Hz | 500-7500 Hz | 500-7500 Hz | 600-7500 Hz | 650-5000 Hz | 650-5000 Hz |
| Max/Min.amb.temp. (IP) | 90°C/-40°C (67) | 90°C/-40°C (67) | 90°C/-40°C (67) | 150°C/-50°C (67) | 90°C/-40°C | 90°C/-40°C |
| Dimensions, mm | Ø97x85 | Ø97x132 | 121x121x118 | Ø133x95,5 | 110x148 | 110x139 |

“The Sound Ambassador”



Plastic Horn, references :

- Channel Tunnel Link, UK & France
- Nat West Tower Refurbishment Project in London
- Opel/Vauxhall plants in UK, Spain, Germany and Austria
- Bahia Plant, Brazil
- Munich Airport in Germany
- Carnival Cruise Line
- Royal Carribien Cruise Line
- Holland American Line



| DSP-15 | DSP-15sL | HP-10 | HP-15 | HP-20 | HP30 |
|-----------------|-----------------|-----------------|-----------------|------------------|------------------|
| ASA/RAL 7035 | ASA/RAL 7035 | ASA/RAL 7035 | ASA/RAL 7035 | PA/RAL 7035 | PA/RAL 7035 |
| 15W | 25W | 10W/15W | 15W/ 20W | 20W/ 25W | 30W/40W |
| 108 dB | 112 dB | 106 dB | 108 dB | 110 dB | 110 dB |
| 320-8000 Hz | 290-8000 Hz | 410-8000 Hz | 330-8000 Hz | 310-8000 Hz | 310-8000 Hz |
| 50°C/-55°C (67) | 50°C/-55°C (67) | 90°C/-50°C (56) | 90°C/-50°C (56) | 150°C/-50°C (67) | 150°C/-50°C (67) |
| 186x247x144 | 349x275x200 | Ø139x198 | Ø200x247 | Ø237x286 | Ø237x286 |



Metal Horn Speakers

The DNH aluminium horn series represents an extremely robust range of heavy duty horn speakers.

These speakers are renowned for both high reliability and superb efficiency, that makes them suitable for all industrial environments and public areas such as railway-stations, dockyards and manufacturing works.

HS-15S is designed to withstand external sound shocks.

The vandal-proof SAFE-15 has been designed with a separate weatherproof internal compartment.

HSS-15 in stainless steel, is made to withstand extreme environments.



HS-15



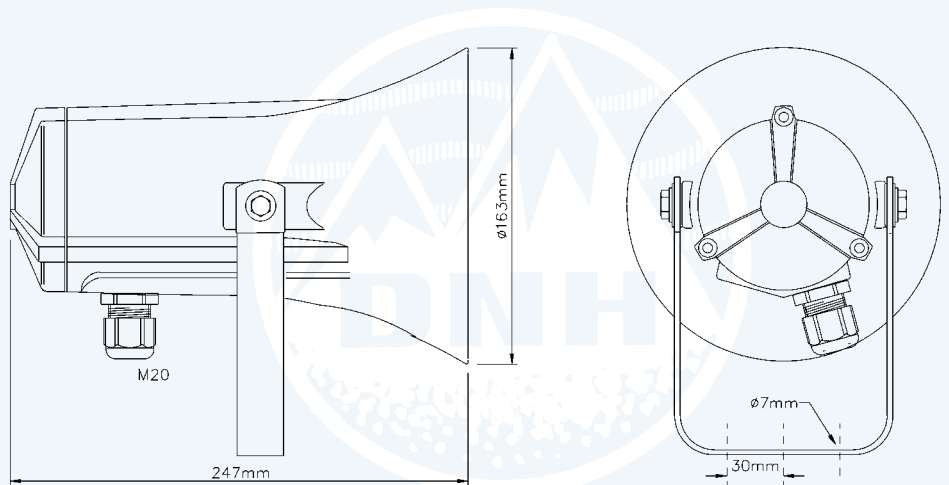
SAFE-15



HS-15S



HSS-15



| Model | HS-15 | HS-15 S |
|--------------------------|------------------|------------------|
| Material/Colour | Alu/RAL 7031 | Alu/RAL 7031 |
| Rated/max power, Watt | 15W/20W | 15W/20W |
| SPL/1W/1m(dB) | 107 dB | 107 dB |
| Effective freq.range, Hz | 350-7500 Hz | 350-7500 Hz |
| Max/Min.amb.temp. (IP) | 150°C/-50°C (67) | 150°C/-50°C (55) |
| Dimensions, mm | Ø163x247 | Ø163x247 |

“The Sound Ambassador”



The DNH Aluminium horn speakers have been supplied to many different projects throughout the world. Among them :

- Channel Tunnel between England and France
- Changi Prison, Singapore
- London Underground, England
- Rendsburg-Tunnel, Germany
- Tramway in Augsburg, Germany
- Electronuclear Plant, Brazil



| HSS-15 | SAFE-15 |
|------------------|----------------------|
| Stainless Steel | Alu/RAL 9010 or 3000 |
| 15W/20W | 15W/30W |
| 108 dB | 95 dB |
| 360-8000 Hz | 500-3000 Hz |
| 150°C/-55°C (67) | 200°C/-50°C (67) |
| Ø169x245 | 105x210x59 |



Alarm Horn Speakers

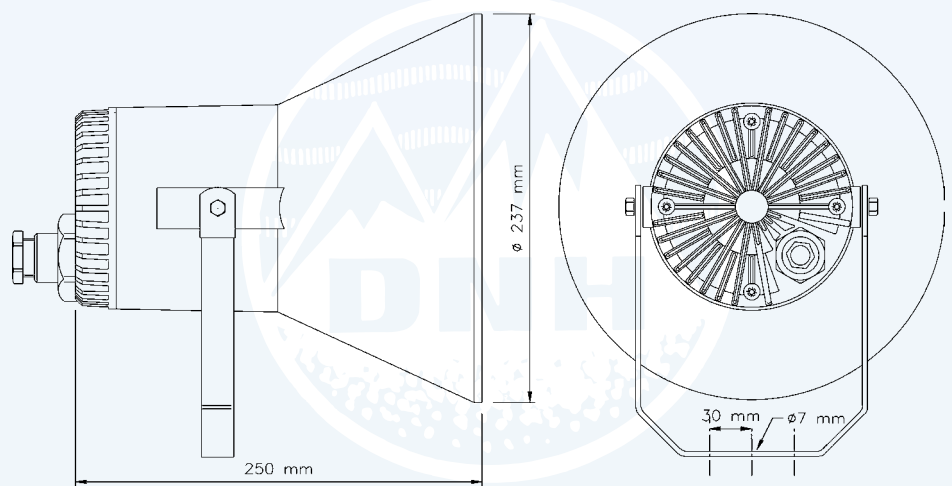
The DNH range of Music Horns represents a unique sound performance.

The precise sound quality combined with the high sensitivity make these models superb for music reproduction.

MH-30 has an extended frequency range and the powerful output of the MH-50 (120 dB at 1 m) will provide coverage over very large areas.

Music Horns are used in sports stadia, cruise liners, school yards, swimming pools, leisure parks and mountain resorts. Increased IP-protection is also possible.

Alarm horns have a very high SPL value for alarm purposes.



| Model | DH-30/DS-100 | DH-50/DS-100 | DH-30/DST-100 | HPA-60 |
|--------------------------|---|------------------|------------------|-------------------|
| Material/Colour | Fiberglass Polyester, Alu. LM 6 / RAL 7035, Stainless Steel Bracket | | | Alu PA 6/RAL 7035 |
| Rated/max power, Watt | 100W | 100W | 100W | 60W |
| SPL/1W/1m(dB) | 110 dB | 111 dB | 110 dB | 110 dB |
| Effective freq.range, Hz | 300-5000 Hz | 200-5000 Hz | 300-5000 Hz | 310-8000 Hz |
| Max/Min.amb.temp. (IP) | 200°C/-50°C (67) | 200°C/-50°C (67) | 200°C/-50°C (67) | 150°C/-50°C (67) |
| Dimensions, mm | Ø325x504 | Ø508x664 | Ø325x504 | Ø237x250 |

Music Horn Speakers



MH-15
and
MH-30
and
MH-50



Music horns have had an excellent reputation for many years and have been chosen for many different projects throughout the world. Among them :

- Meribel Stadium, France
- Wimbledon All England Tennis Club
- Royal Caribbean Cruise Liners
- Hurtigruta : "Trollfjord", Norway
- Carnival Cruise Line
- Narvik slalom and down hill, Norway
- Olympic Games in Athens, Greece



| MH-15 | MH-30 | MH-50 |
|-----------------|-----------------|-----------------|
| PP,ABS RAL 7035 | PP,ABS RAL 7035 | PP,ABS RAL 7035 |
| 15W/25W | 30W/50W | 50W/80W |
| 99 dB | 96 dB | 104 dB |
| 140-16000 Hz | 85-16000 Hz | 140-16000 Hz |
| 90°C/-40°C (55) | 90°C/-40°C (55) | 90°C/-40°C (55) |
| 362x252x310 | 362x252x310 | 262x252x310 |



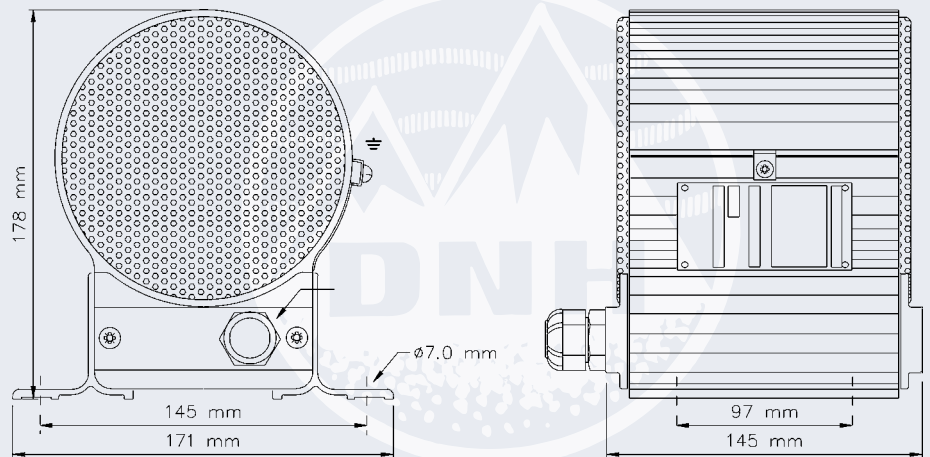
EEx Speakers

The unique DNH Ex-range satisfies your requirements for flameproof loudspeakers. DNH offers a wide variety of heavy duty EEx-speakers, specially designed for use in military and civil installations where gases and other explosives make special precautions necessary.

There are many different certifications and standards available :

- ATEX, Zone I and II
- NEMKO, Norway
- Cepel, Brazil
- SAA, Australia
- FM, USA
- CQST, China
- IEC-Ex
- GOST, Russia
- GOST K, Kazakhstan

The high flexibility of our production system enables DNH to meet the customers requirements for specialities such as special colour, cables, transformers and cable glands.



| Model | HS-15 EExmN | DST-40 EEx/DHA-30 | DSP-15 EExeN | DSP-15 EExeNsL | DHP/DST-40 EExeN |
|--------------------------|-----------------|-----------------------|-----------------|-----------------------|-----------------------|
| Material/Colour | Alu/RAL 7031 | Alu/RAL 9035/Vestamid | PA/Black | Alu/RAL 9035/Vestamid | Alu/RAL 9035/Vestamid |
| Rated/max power, Watt | 15W | 40W/40W | 15W/25W | 15W/25W | 40W |
| SPL/1W/1m(dB) | 105 dB | 111 dB | 105 dB | 109 dB | 110 dB |
| Effective freq.range, Hz | 410-7000 Hz | 300-5000 Hz | 380-7000 Hz | 330-8000 Hz | 310-6000 Hz |
| Max/Min.amb.temp. (IP) | 60°C/-50°C (67) | 50°C/-50°C (67) | 50°C/-50°C (67) | 55°C/-55°C (67) | 55°C/-53°C (67) |
| Dimensions, mm | Ø163x247 | Ø325x515 | 186x207x144 | 349x275x200 | 212x365x175 |

“Design and performance”



EEx References:

- Statfjord
- Oseberg
- Åsgard B
- Visund
- Britannia
- Snorre B
- Valhall
- Kvitebjørn
- Grane
- Balder
- Ringhorne
- Huldra
- Ekofisk
- Piper Bravo
- Njord
- Brent
- Beryl

Others:

- Hibernia, Canada
- N’Kossa, Congo
- Kazakhstan
- Shell platforms, Malaysia
- Petrobras platforms, Brazil
- AKPO, Nigeria



| DSP-25 EExmN | CM-6 EExmN | HP-20EExIIN | HS-15 EExIIN | CAREEX-6 CAPEEX-6 | CAREEX-36 BAREEX-36 | BA-56 EExeN |
|-----------------|-----------------|-----------------|-----------------|----------------------|------------------------|---------------------|
| PA/Black | PA/Black | PA/Black | Alu/RAL 7031 | Alu/Anod. | Alu/Anod. | Alu/RAL 9010 grille |
| 25W | 6W | 20W | 15W | 6W | 6W | 6W |
| 106 dB | 85 dB | 110 dB | 107 dB | 90 dB | 88 dB | 90 dB |
| 370-7000 Hz | 300-20000 Hz | 310-8000 Hz | 370-7000 Hz | 160-20000 Hz | 180-20000 Hz | 160-20000 Hz |
| 55°C/-53°C (67) | 40°C/-20°C (67) | 60°C/-20°C (67) | 50°C/-50°C (67) | 40°C/-20°C | 40°C/-20°C | 40°C/-20°C |
| Ø250x340 | 137x53 | Ø237x286 | Ø163x247 | Ø171x140x145 | 146x135x88 | Ø200x172 |



Music Masters

The DNH MD-series and professional range of models are designed for applications where a combination of high quality music reproduction and clear public address are required.

These models have an exceptional frequency range and an impressive ability to transmit a distinct and very natural sound, combined with high power output.

The selection of models provides different solutions for different applications and are suitable for use in environments such as shopping malls, restaurants, bars, hotels, churches, conference rooms etc.

Different models are available for insertion, pendant, flush mounting, bracket and tripod.



| Model | MD-40 | MD-60 | MD-120 | MD-200 | MD-300 |
|--------------------------|-----------------|-----------------|-----------------|-----------------|-----------------|
| Material/Colour | ABS/Black/White | ABS/Black/White | PE,Black | PE/Black | PE/Black |
| Rated/max power, Watt | 40/60W | 60/100W | 120/150W | 200W/300W | 300/300W |
| SPL/1W/1m(dB) | 85 dB | 90 dB | 93 dB | 100 dB | 98 dB |
| Effective freq.range, Hz | 55-20000 Hz | 45-20000 Hz | 37-20000 Hz | 65-20000 Hz | 35-20000 Hz |
| Max/Min.amb.temp. (IP) | 90°C/-40°C (44) | 90°C/-40°C (44) | 90°C/-40°C (44) | 90°C/-40°C (54) | 90°C/-40°C (44) |
| Dimensions, mm | 160x250x180 | 203x335x250 | 315x480x335 | 430x485x320 | 400x600x430 |

“The Height of Performance”



Music Masters, references:

- Lisbon Z00, Portugal
- Football stadium, Leverkusen, Germany
- Swimming pools, Paris
- Airport Hahn, Germany
- Trud stadium, Russia
- Football stadium, Troyes, France
- Lorient Museum, France



| BMD-60 | BALL-60 | Prob-635 |
|-----------------|----------------|-----------------------------|
| ABS/Black/White | PE/Black/White | Solid Brass/Stainless Steel |
| 60W/100W | 60W/100W | 30W /60W |
| 90 dB | 90 dB | 92 dB |
| 45-20000 Hz | 45-20000 Hz | 55-20000 Hz |
| 90°C/-40°C(44) | 90°C/-40°C(44) | 90°C/-40°C |
| Ø295x220 | Ø300x300 | Ø195x92 |

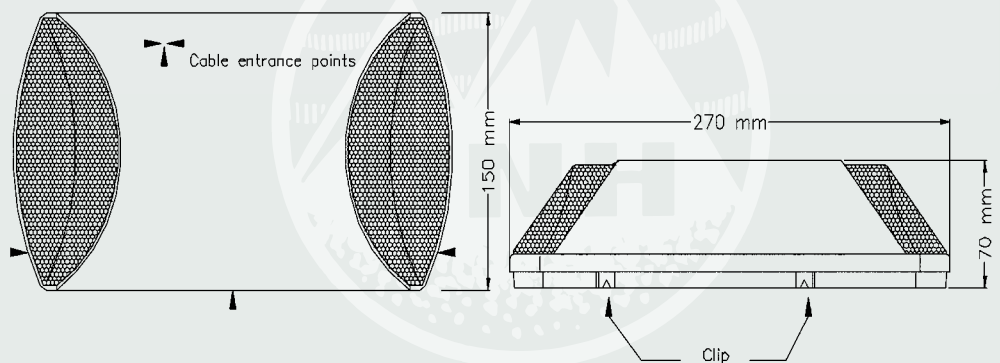


Cabinet Loudspeakers

DNH offers a wide range of cabinet loudspeakers for different applications. Common for all models are easy installation, colour options, and a nice design that always will be a comfort to the eye. Ideal for public address and background music systems.

Several models are suitable for both indoor and outdoor use.

Our cabinet models are designed for use in public places, airports, churches, conference rooms, sports arenas as well as industrial environments.



| Model | B-406 | BLC-550 | CW-4 | CAU-4 | Safe-m6 | Safe-10P |
|--------------------------|--------------|--------------|--------------------|----------------|---------------|----------------|
| Material/Colour | ABS/RAL-9002 | ABS/RAL-9010 | Particle board/nut | Alu/RAL-7035 | Alu/white/red | ABS/RAL-9010 |
| Rated/max power, Watt | 6W/8W | 6W/10W | 4W/8W | 4W/8W | 6W/10W | 10W/15W |
| SPL/1W/1m(dB) | 90 dB | 90 dB | 90 dB | 90 dB | 87 dB | 85 dB |
| Effective freq.range, Hz | 180-14000 Hz | 150-15000 Hz | 140-20000 Hz | 160-16000 Hz | 220-20000 Hz | 160-20000 Hz |
| Max/Min.amb.temp. (IP) | 90°C/-20°C | 90°C/-20°C | 90°C/-40°C | 120°C/40°C(55) | 150°C/-40°C | 90°C/-40°C(44) |
| Dimensions, mm | 210x210x66 | Ø206x85 | 250x170x88 | 128x237x100 | 105x210x59 | 104x206x55 |

“Loud and clear”



Cabinet Speakers, References :

- Malpensa Airport, Milano, Italia
- National Public Hospital, Oslo, Norway
- Madrid Underground, Spain
- Hamburger Hochbahn, Germany
- Amman Airport, Jordan
- NSB, The Norwegian Railways
- Holy Trinity Church, Sheffield, UK
- Singaporean Coastguard, Singapore
- London Underground
- Opera Paris, France



| CP-6 | CP-66 | CL-15 | CAS-6 | CAS-15 | CAS-30 | TRIC-6 |
|--------------|--------------|-------------------|--------------------|--------------------|--------------------|--------------|
| ABS/RAL-9010 | ABS/RAL-9010 | PP Vo/black/white | Alu/PA/white/anod. | Alu/PA/white/anod. | Alu/PA/white/anod. | ABS/RAL 9010 |
| 6W/10W | 6W/10W | 15W/20W | 6W/10W | 15W/20W | 30W/40W | 6W |
| 88 dB | 88 dB | 94 dB | 88 dB | 91 dB | 92 dB | 88 dB |
| 180-20000 Hz | 180-20000 Hz | 180-20000 Hz | 110-20000 Hz | 100-20000 Hz | 95-20000 Hz | 150-16000 Hz |
| 90°C/-40°C | 90°C/-40°C | 90°C/-40°C(54) | 110°C/-40°C(54) | 110°C/-40°C(54) | 110°C/-40°C(54) | 90°C/-20°C |
| 150x195x70 | 150x270x70 | 95x210x70 | 100x109x183 | 100x109x300 | 100x109x600 | 220x220x38 |

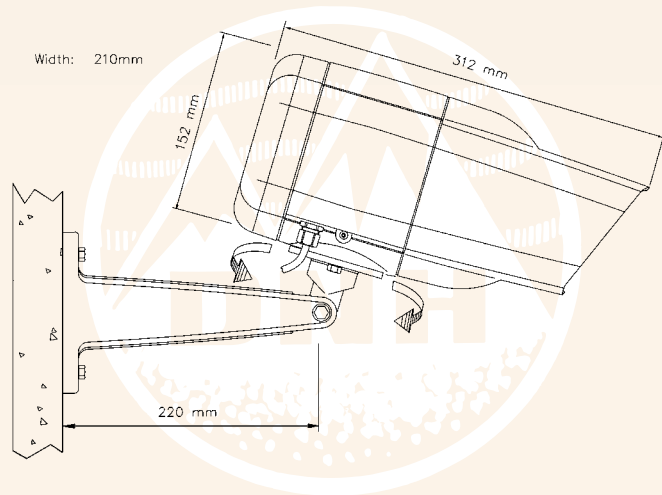


Projectors

The DNH projector loudspeakers represent a wide range of options.

These models cover multiple applications for indoor as well as outdoor use. In addition to the standard models, we offer different specialities such as weather proof and fire proof versions, and of course colour options. The ideal versions for maximum sound coverage and high performance.

Projectors are excellent for inside and outside installation intended for public address systems and background music, for instance in airports and railways.



| Model | CAR-4 | CAR-6 | CAP-15 | DP-10 | DP-30 |
|--------------------------|--------------------|--------------------|--------------------|-----------------|-----------------|
| Material/Colour | Alu/white or anod. | Alu/White or anod. | Alu/White or anod. | ASA/RAL 7035 | ASA/RAL 7035 |
| Rated/max power, Watt | 4//6W | 6W/10W | 15W/20W | 10W/15W | 30W/50W |
| SPL/1W/1m (dB) | 90 dB | 90 dB | 92 dB | 96 dB | 90 dB |
| Effective freq.range, Hz | 150-20000 Hz | 150-20000 Hz | 150-20000 Hz | 150-20000 Hz | 110-20000 Hz |
| Max/Min.amb.temp. (IP) | 110°C/-40°C | 110°C/-40°C | 110°C/-40°C(55) | 150°C/-40°C(55) | 150°C/-40°C(55) |
| Dimensions, mm | Ø146x90 | Ø146x175 | Ø146x200 | 210x152x312 | 210x152x312 |

“Design and Performance”



References:

- Metro in Athens, Greece
- Amman Airport, Jordan
- London Underground, England
- Malpensa Airport, Milano, Italy
- Carnival Cruise Line
- RCCL Cruise Line
- Underground in Madrid, Spain
- Heathrow Airport, London
- Olympic Games, Greece



| DPD-10 | DPD-30 | PS-6 | Prosound-300 | VEP-6 | BIVEP-6 | VEP-15 |
|-----------------|-----------------|-----------------|---------------------|--------------|--------------|----------------|
| ASA/RAL 7035 | ASA/RAL 7035 | PA/RAL 7035 | PA/RAL 9005 or 7035 | ABS/RAL 7035 | ABS/RAL 7035 | ABS/Vo/White |
| 10W/15W | 30W/50W | 6W/15W | 30W/50W | 6W/15W | 6W/15W | 15W/20W |
| 94 dB | 90 dB | 88 dB | 88 dB | 89 dB | 89 dB | 94 dB |
| 150-20000 Hz | 110-20000 Hz | 150-18000 Hz | 110-20000 Hz | 190-20000 Hz | 160-20000 Hz | 150-20000 Hz |
| 150°C/-40°C(55) | 150°C/-40°C(55) | 120°C/-40°C(56) | 90°C/-20°C(54) | 90°C/-40°C | 90°C/-50°C | 90°C/-40°C(55) |
| 210x152x445 | 210x152x445 | Ø157x160 | Ø150x178 | 110x148 | 166x139 | Ø160x270 |



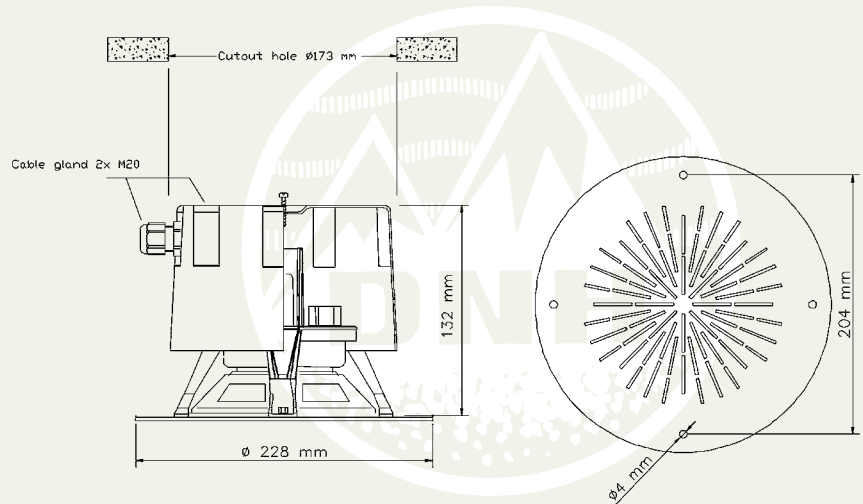
Metal Ceiling Speakers

DNH offers several models of metal ceiling speakers in different design and shape. Mounting ranges from the conventional screw fitted type (B-560, B-620 and BS-660), to easy spring mounting (BK-560).

The models BS-560, BS-660 and BK-560 will have no visible screws.

The prob versions of B-560 and B-620 are fitted with two-way loudspeaker systems for extended frequency range and high power.

The metal ceiling speakers are available with dust-boxes in V0 and steel fire-domes.



| Model | BK-560 | B-560 | BS-560 | B-620 | BS-660 |
|--------------------------|--------------------|--------------------|--------------|--------------------|--------------|
| Material/Colour | PA V0/Alu/RAL 9010 | PA V0/Alu/RAL 9010 | Alu/RAL 9010 | PA V0/Alu/RAL 9010 | Alu/RAL 9010 |
| Rated/max power, Watt | 6W/10W | 6W/10W | 6W/15W | 6W/15W | 6W/15W |
| SPL/1W/1m(dB) | 90 dB | 90 dB | 90 dB | 92 dB | 90 dB |
| Effective freq.range, Hz | 130-15000 Hz | 130-15000 Hz | 130-15000 Hz | 90-20000 Hz | 90-20000 Hz |
| Max/Min.amb.temp. (IP) | 110°C/-40°C | 110°C/-40°C | 90°C/-40°C | 110°C/-40°C | 110°C/-40°C |
| Dimensions, mm | Ø165x84 | Ø165x90 | Ø167x95 | Ø228x65 | Ø242x89 |

“High Performance”



Ceiling speakers, references :

- Malpensa Airport, Italy
- Carnival Cruise Line
- Holland American Line
- McDonalds Restaurants
- Marks & Spencer, Athens, Greece
- London Underground, UK



| BF-560 | BF-620 | Prob-560 | Prob-620 | Prob-635 |
|--------------------|--------------------|--------------------|--------------------|--------------------------------|
| PA V0/Alu/RAL 9010 | PA V0/Alu/RAL 9010 | PA V0/Alu/RAL 9010 | PA V0/Alu/RAL 9010 | Solid Brass or Stainless steel |
| 6W/15W | 6W/15W | 30W/50W | 30W/50W | 30W/60W |
| 90 dB | 90 dB | 88 dB | 90 dB | 92 dB |
| 150-20000 Hz | 150-15000 Hz | 60-20000 Hz | 60-20000 Hz | 55-20000 Hz |
| 90°C/-20°C | 90°C/-20°C | 90°C/-40°C | 90°C/-40°C | 100°C/-50°C |
| 165x115 | 228x131 | Ø165x130 | Ø228x137 | Ø228x152 |

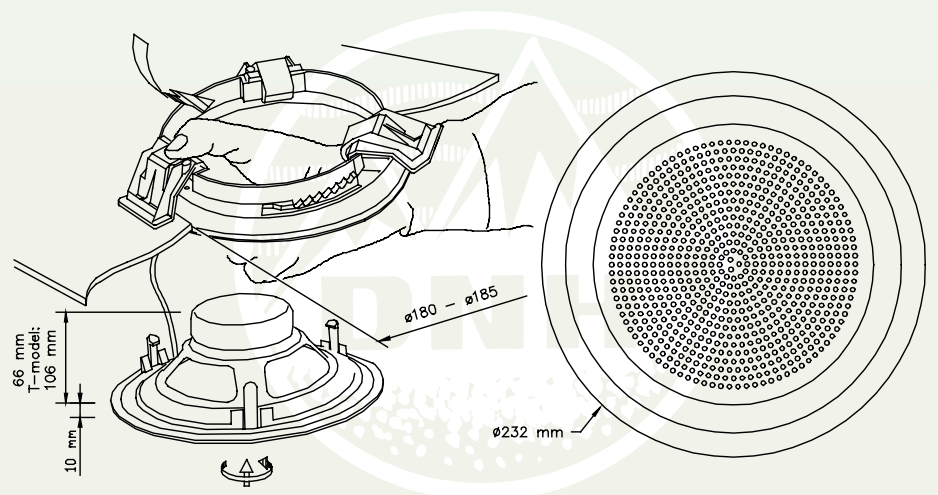


Plastic Ceiling Speakers

DNH offers an extensive range of ceiling speakers that satisfies the most demanding customer. Superbly engineered for simple and safe installation and the nice design makes DNH the best choice for ceiling speakers.

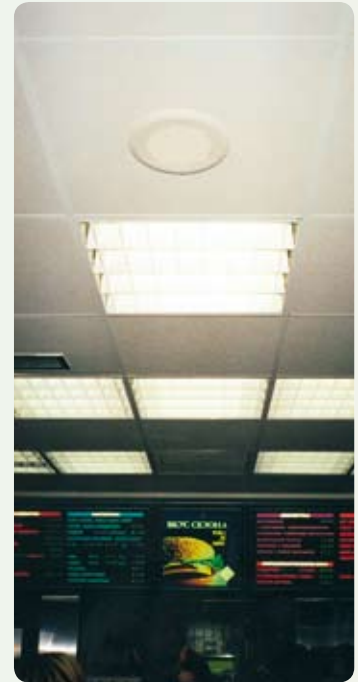
Our flexible production offers even more options to choose from than our standard models, with regard to colours and other amendments. The good sound quality is indisputable. The ingenious mounting systems make the installation easy, and there are no visible screws.

Prob-650 is fitted with a two-way loudspeaker element for extended frequency range and high power. These ceiling speakers should be your first choice with regard to background music systems and P.A. applications.



| Model | BL-350 | BL-550 | BL-650 | B-650 |
|--------------------------|--------------|--------------|--------------|------------------|
| Material/Colour | ABS/RAL 9010 | ABS/RAL 9010 | ABS/RAL 9010 | ABS grille/white |
| Rated/max power, Watt | 6W/8W | 6W | 6W/15W | 6W/15W |
| SPL/1W/1m(dB) | 88 dB | 90 dB | 90 dB | 90 dB |
| Effective freq.range, Hz | 150-20000 Hz | 130-15000 Hz | 110-15000 Hz | 140-18000 Hz |
| Max/Min.amb.temp. (IP) | 80°C/-20°C | 90°C/-20°C | 90°C/-20°C | 90°C/-20°C(42) |
| Dimensions, mm | Ø116x82 | Ø150x102 | Ø232x102 | Ø232x129 |

“Design and Performance”



References:

- Malpensa Airport, Italy
- Carnival Cruise Line
- RCCL Cruise Line
- Holland American Line
- McDonalds Restaurants
- Marks & Spencer, Athens, Greece
- London Underground, UK
- Hotel Pedro, Portugal



| Prob-650 | BMD-60 |
|--------------|-----------------|
| ABS/RAL 9010 | ABS/RAL 9010 |
| 30W/50W | 60W/100W |
| 90 dB | 90 dB |
| 60-20000 Hz | 45-20000 Hz |
| 90°C/-20°C | 90°C/-40°C (44) |
| Ø232x117 | Ø290x210 |



Voice Alarm

Voice alarm

In public buildings and common areas as airports and railways there should be installed a voice and evacuation system.

Of course it is imperative that any system designed to provide the public with information about evacuation and danger, must continue to operate throughout the duration of the incident or until such time as everybody has been removed from the area of danger.

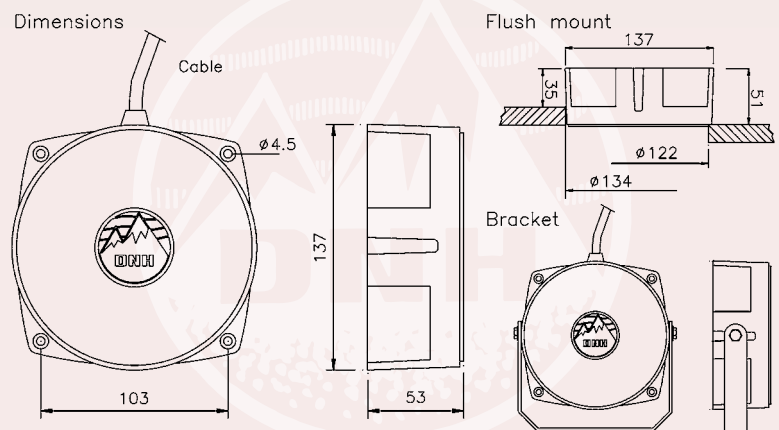
VES 561 / VES 360

With the VES-range our engineers have come up with ceiling speakers uniquely designed for many applications.

Easy installation combined with passivated steel fire dome meets both economic demands and international regulations.

The DNH range of clean room loudspeakers (CR) is developed specially to meet the demand for cleanliness in certain environments such as production facilities for micro-electronics, pharmaceutical industry, photo industry and laboratories.

Our Aqua-30 underwater loudspeaker is 100% water proof and has excellent performance in or out of water. Unique design and supplied with 5 m cable.



| Model | VES-561 | SAFE-561 | VEP-6 | BIVEP-6 | BIVEH-6 | VEP-15 |
|--------------------------|--------------------|----------------|--------------|--------------|--------------|----------------|
| Material/Colour | Steel,Alu/RAL 9010 | Steel/RAL 9010 | ABS/RAL 7035 | ABS/RAL 7035 | ABS/RAL 7035 | ABS/Vo/White |
| Rated/max power, Watt | 6W/8W | 6W | 6W/15W | 6W/15W | 6W/10W | 15W/20W |
| SPL/1W/1m(dB) | 90 dB | 90 dB | 89 dB | 89 dB | 103 dB | 94 dB |
| Effective freq.range, Hz | 180-13000 Hz | 180-13000 Hz | 190-20000 Hz | 160-20000 Hz | 650-5000 Hz | 150-20000 Hz |
| Max/Min.amb.temp. (IP) | 120°C/-20°C | 90°C/-20°C | 90°C/-40°C | 90°C/-50°C | 90°C/-40°C | 90°C/-40°C(55) |
| Dimensions, mm | Ø167x90 | Ø169x65 | 110x148 | 166x139 | 210x139 | Ø160x270 |

Clean Room Specialities



Applications:

- Clean room applications (CR)
- Swimming pools

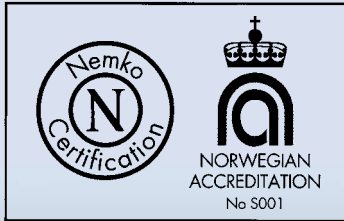
Voice Alarm (BS-5839 Part 8)

- in public places, cruise liners, airports, railways.
- Any kind of special sound niches.



| BL-550 CR | BLC-550 CR | CR-6 | Aqua-30 | UP-56 | CL-15 |
|--------------|--------------|--------------|----------------|--------------|-------------------|
| ABS/RAL 9010 | ABS/RAL 9010 | ABS/RAL 9010 | ABS/NCS 1070-B | Alu/RAL 9010 | PP Vo/Black/White |
| 6W/15W | 6W/15W | 6W/30W | 20W/30W | 6W | 15W/20W |
| 88 dB | 88 dB | 85 dB | 105 dB | 90 dB | 94 dB |
| 60-12000 Hz | 150-12000 Hz | 280-18000 Hz | 80-20000 Hz | 120-11000 Hz | 180-20000 Hz |
| 90°C/-20°C | 90°C/-20°C | 90°C/-20°C | 90°C/-20°C(68) | 90°C/-20°C | 90°C/-40°C(54) |
| Ø160x102 | Ø206x85 | Ø137x53 | 137x53 | 178x178x70 | 95x210x70 |

NS-EN ISO 9001 Certified



“The original DNH design”

**The Buyer
of DNH loudspeakers
benefits from the research
and engineering which DNH has
performed for more than 60 years in
developing high class loudspeakers for every
purpose and demand. This experience, combined
with the most careful selection of materials and
the strictest manufacturing controls, will assure
you performance of highest quality.**

**During all stages of our manufacturing and
production process, a fully documented and
Approved Quality Assurance system to
ISO 9001 is imposed.**

MORRISONS PUBLIC ADDRESS (AUSTRALIA)

TEL.: 08 949 31196
FAX: 08 9459 2869

Email: sales@morrisonssav.com