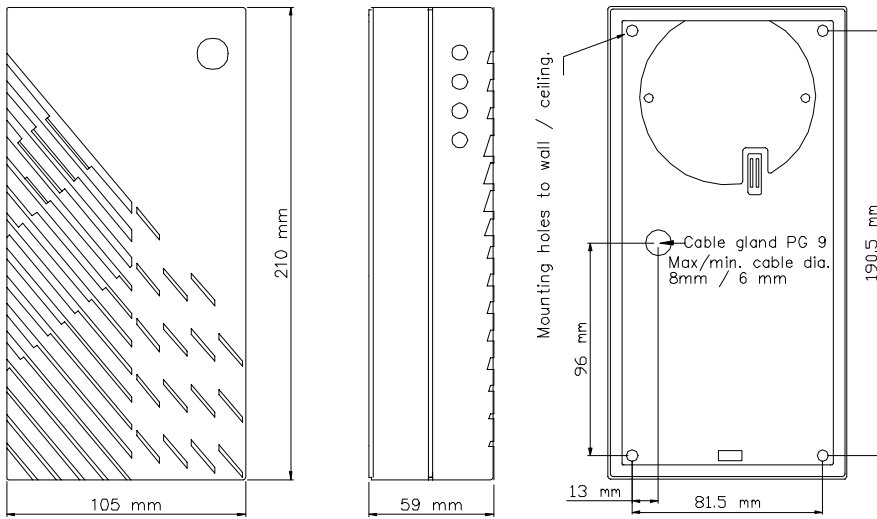




ISO 9001 CERTIFIED



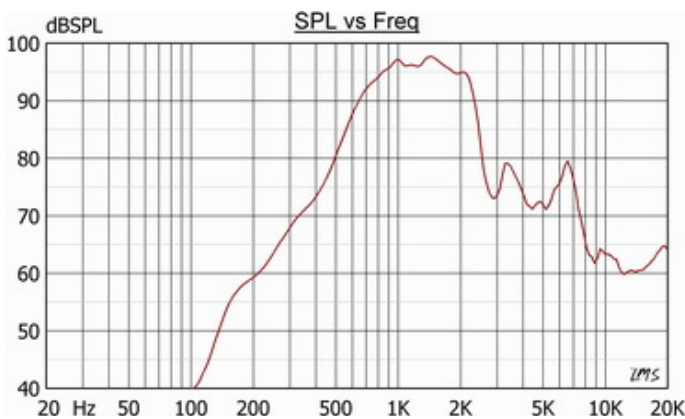
70 V / 100 V combined transformer:

Primary connection:
5 (White) : 7 (Green) 70V
5 (White) : 8 (Red) 100 V

Secondary nominal tappings:

1 : 4	15,0 W
1 : 3	8,0 W
2 : 4	5,0 W
1 : 2	4,5 W
3 : 4	2,5 W
2 : 3	1,0 W

Sound pressure levels at different frequencies at 1W/1m sine wave



Material / Colour Aluminium / White
 Mounting 4 screws
 Termination Inside spring clamp
 Weight 1,7 kg
 IP-rating 67
 Max. / min. amb. temp 200°C / -50°C
 Standard version 100 V / 50 V transformer
 Rated / max. power 15 W / 30 W
 SPL 1W/1m 95 dB
 SPL rated power 110 dB
 Effective freq. range 500 – 3000 Hz
 Dispersion (-6dB) 1kHz / 4kHz 160° / 55°
 Directivity factor, Q
 Options impedances, colors, labels

Installation, Operation and Maintenance Procedures

- Open the cabinet by using the enclosed Allen key to loosen the three screws on 3 sides of the cabinet. Screw the loudspeaker to the wall or ceiling by 4 screws.
- For optimum performance, always use the correct voltage / power and operate within the frequency limits as stated.
- Do not open loudspeaker when energized.
- Fasten front cover with a torque of 1-2 Nm.
- This loudspeaker is supplied with a 2 year warranty against defective workmanship.
- Maintain the speaker the same way as other equipment which is placed outside.

