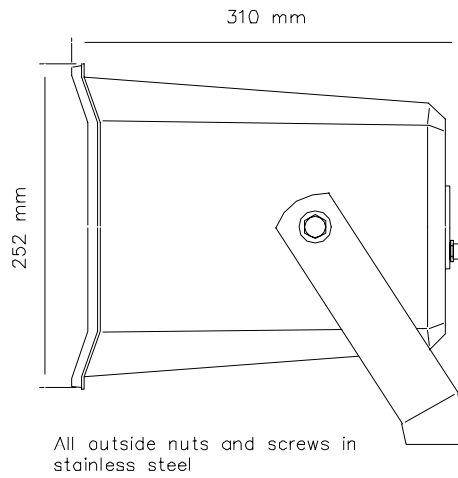
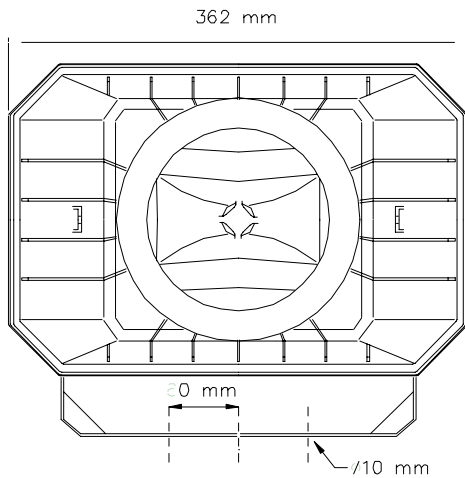




ISO 9001 CERTIFIED



Transformer:  
100 Volt line

Primary nominal  
tappings:

|       |        |
|-------|--------|
| 1 : 2 | 50,0 W |
| 2 : 3 | 25,0 W |
| 3 : 4 | 12,5 W |
| 1 : 3 | 9,0 W  |
| 2 : 4 | 4,5 W  |
| 1 : 4 | 3,0 W  |
| 1 : 5 | 8Ω     |

1 = Red, 2 = Yellow  
 3 = Green, 4 = Blue  
 5 = Black

Sound pressure levels at different frequencies at 1W/1m  
pink noise. 1/3 octave pink noise.



Material / Color .....ABS, Polypropylene / RAL 7035  
 Mounting ..... Aluminum bracket  
 Termination .....Screw terminals in termination chamber  
 Weight ..... 4,5 kg  
 IP-rating .....(12) 55  
 Max / min amb temp ..... 90°C / -40°C  
 Rated / max. power ..... 50 W / 80 W  
 SPL 1W/1m..... 104 dB  
 SPL rated power ..... 121 dB  
 Effective freq. range..... 140 – 16000 Hz  
 Dispersion (-6dB) 1kHz / 4kHz ..... 65° / 20°  
 Directivity factor, Q .....  
 Options .....Impedances, colors, labels

### Installation, Operation and Maintenance Procedures

- When mounting the loudspeaker please ensure that it is re-assembled in the same manner in which it was received. Fasten bracket with 2-3 screws.
- To change the position of the loudspeaker, adjust the bracket (by loosening / tightening the screws) as required.
- For optimum performance, always use the correct voltage / power and operate within the frequency limits as stated.
- Do not open loudspeaker when energized.
- Fasten termination chamber lid with a torque of 1-2 Nm.
- This loudspeaker is supplied with a 2 year warranty against defective materials and workmanship.

