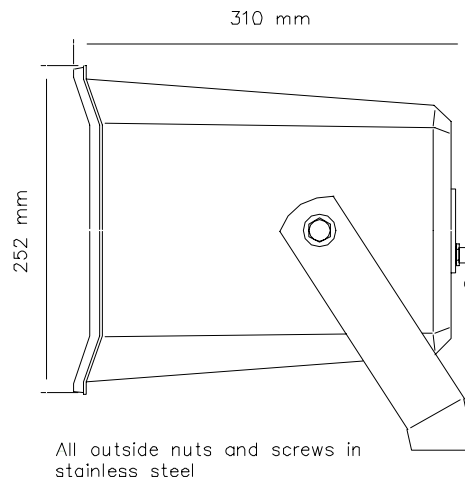
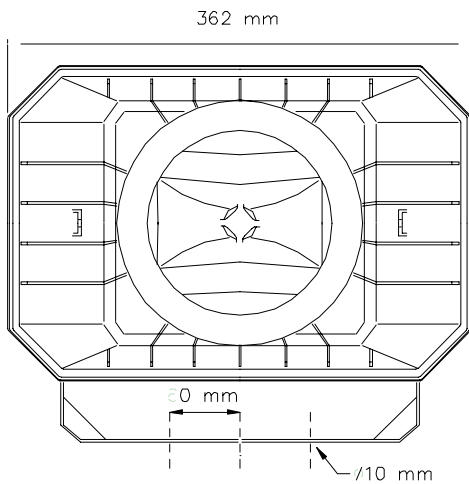




ISO 9001 CERTIFIED



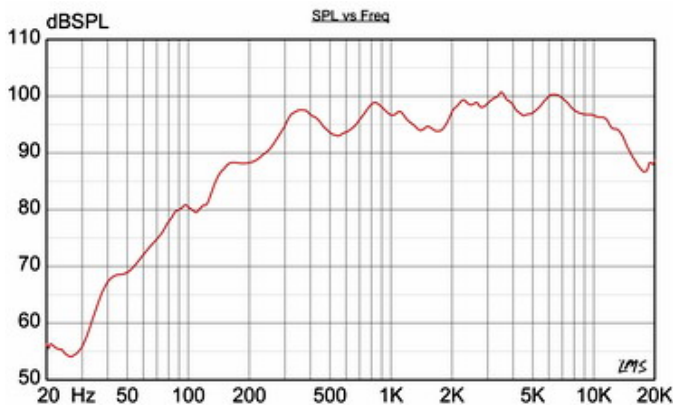
Transformer:
100 Volt line
(Optional 50V / 70V)

Primary nominal tapings:

1 : 2	30,0 W
2 : 3	15,0 W
3 : 4	7,5 W
1 : 3	5,5 W
2 : 4	2,7 W
1 : 4	2,0 W
1 : 5	8Ω

1 = Red, 2 = Yellow
3 = Green, 4 = Blue
5 = Black

Sound pressure levels at different frequencies at 1W/1m sine wave.



Material / ColorABS, Polypropylene / RAL 7035
Mounting Aluminum bracket
Termination Screw terminals in termination chamber
Weight 4,2 kg
IP-rating (UL equivalent) 55
Max / min amb temp 90°C / -40°C
Rated / max power 30 W / 50 W
SPL 1W/1m..... 96 dB
SPL rated power 110 dB
Effective freq range..... 85 – 16000 Hz
Dispersion (-6dB) 1kHz / 4kHz 65° / 30°
Directivity factor, Q
OptionsImpedances, colors, labels

Installation, Operation and Maintenance Procedures

- When mounting the loudspeaker please ensure that it is re-assembled in the same manner in which it was received. Fasten bracket with 2-3 screws.
- To change the position of the loudspeaker, adjust the bracket (by loosening / tightening the screws) as required.
- For optimum performance, always use the correct voltage / power and operate within the frequency limits as stated.
- Do not open loudspeaker when energized.
- Fasten termination chamber lid with a torque of 1-2 Nm.
- This loudspeaker is supplied with a 2 year warranty against defective materials and workmanship.

