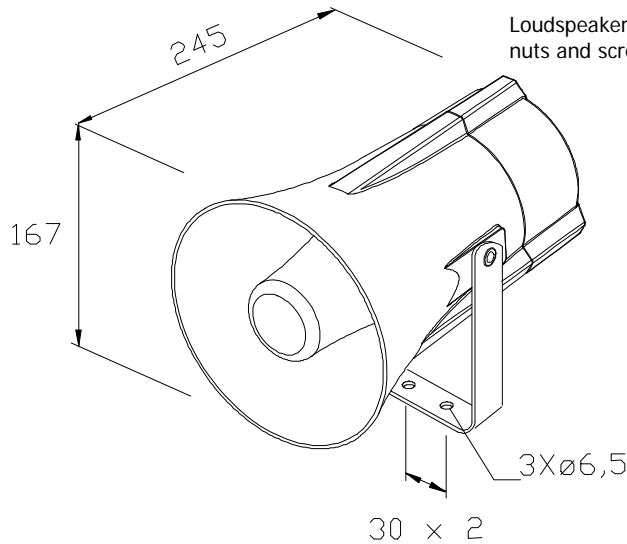




Morrison's Public Address (Australia)  
 Phone: 08 9493 1196 Fax: 08 9459 2869  
 Email: sales@morrison sav.com  
 Web: www.morrison sav.com

ISO 9001 CERTIFIED



70/100 volt Combined Transformer

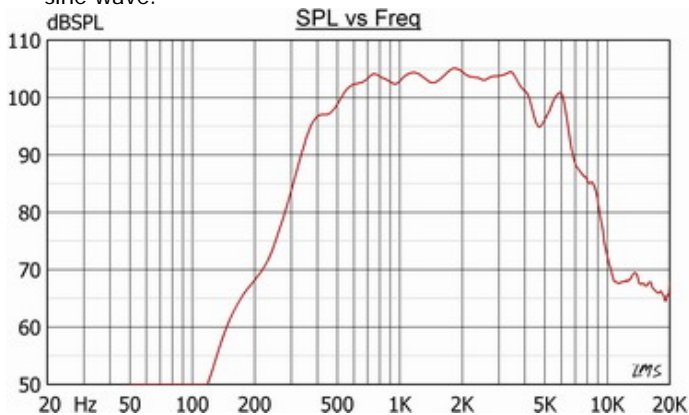
Primary connection:  
 5 : 7 70 Volt line  
 5 : 8 100 Volt line

Secondary nominal tapings:

1 : 4 15,0 W  
 1 : 3 8,0 W  
 2 : 4 5,0 W  
 1 : 2 4,5 W  
 3 : 4 2,5 W  
 2 : 3 1,0 W

5 = White, 8 = Red  
 70V : Move red wire from 8 to 7

Sound pressure levels at different frequencies at 1W/1m sine wave.



Material / Color ..... Stainless steel 316  
 Mounting ..... U Bracket  
 Termination ..... Inside screw terminals  
 Weight ..... 6,1 kg  
 IP-rating ..... 67  
 Max / min amb temp ..... 210°C / -55°C  
 Rated / max power ..... 15 W / 20 W  
 SPL 1W/1m ..... 107 dB  
 SPL rated power ..... 118 dB  
 Effective freq. range ..... 350 – 7500 Hz  
 Dispersion (-6dB) 1kHz / 4kHz ..... 150° / 40°  
 Directivity factor, Q .....  
 Options ..... Impedances, colors, labels

### Installation, Operation and Maintenance Procedures

- When mounting the loudspeaker please ensure that it is re-assembled in the same manner in which it was received. Fasten the bracket to wall with 1-3 screws and ensure to use all washers in the same position that the loudspeaker is delivered with.
- To change the position of the loudspeaker, please adjust the bracket (by loosening / tightening the screws) as required.
- For optimum performance, always use the correct voltage / power and operate within the frequency limits as stated.
- Do not open loudspeaker when energized.
- Fasten lid screws with a torque of 2 - 3 Nm to assure the IP rating.
- This loudspeaker is supplied with a 2 year warranty against defective materials and workmanship.

