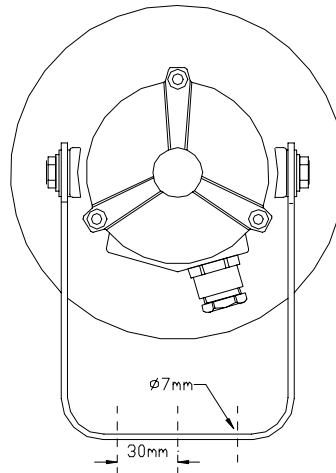
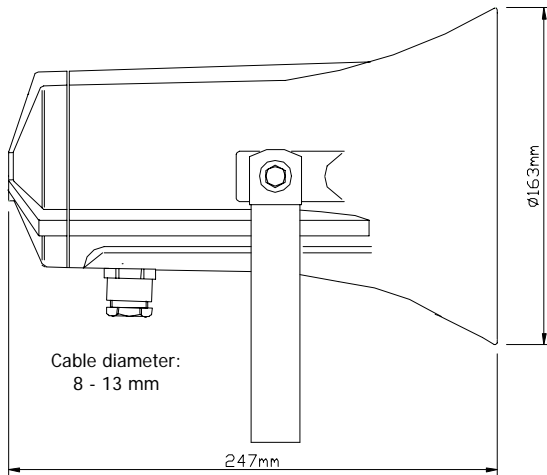




ISO 9001 CERTIFIED

Bracket and all outside nuts and screws in stainless steel.



70/100 volt Combined Transformer

Primary connection:

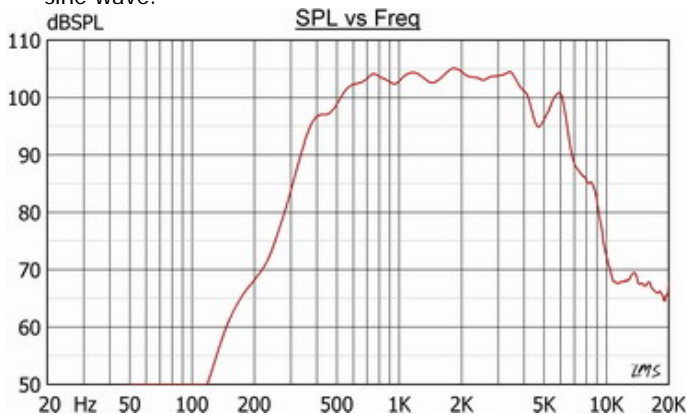
5 : 7 70 Volt line
5 : 8 100 Volt line

Secondary nominal tapings:

1 : 4 15,0 W
1 : 3 8,0 W
2 : 4 5,0 W
1 : 2 4,5 W
3 : 4 2,5 W
2 : 3 1,0 W

5 = White, 8 = Red
70V : Move red wire from 8 to 7

Sound pressure levels at different frequencies at 1W/1m sine wave.



Material / Color Aluminum alloy / RAL 7031
 Mounting Bracket
 Termination Inside screw terminals
 Weight 2,5 kg
 IP-rating 67
 Max / min amb temp 150°C / -50°C
 Rated / max power 15 W / 20 W
 SPL 1W/1m 107 dB
 SPL rated power 118 dB
 Effective freq. range 350 – 7500 Hz
 Dispersion (-6dB) 1kHz / 4kHz 150° / 40°
 Directivity factor, Q
 Options Impedances, colors, labels

Installation, Operation and Maintenance Procedures

- When mounting the loudspeaker please ensure that it is re-assembled in the same manner in which it was received. Fasten the bracket to wall with 1-3 screws and ensure to use all washers in the same position that the loudspeaker is delivered with. (To isolate the main body from the bracket)
- To change the position of the loudspeaker, please adjust the bracket (by loosening / tightening the screws) as required.
- For optimum performance, always use the correct voltage / power and operate within the frequency limits as stated.
- Do not open loudspeaker when energized.
- The aluminum surface of the loudspeaker should be regularly treated with paint at the same interval as with other similar outdoor equipment.
- Fasten lid screws with a torque of 2 - 3 Nm to assure the IP rating.
- This loudspeaker is supplied with a 2 year warranty against defective materials and workmanship.

