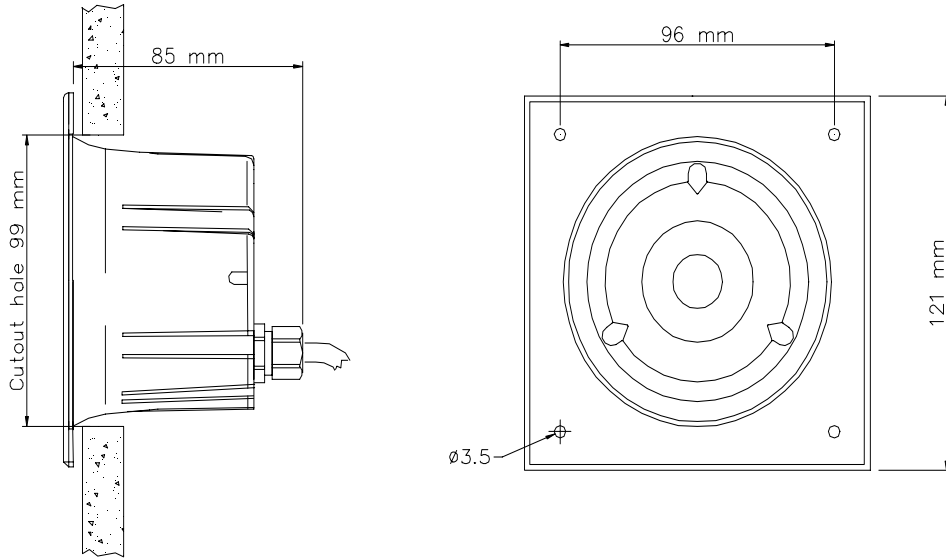
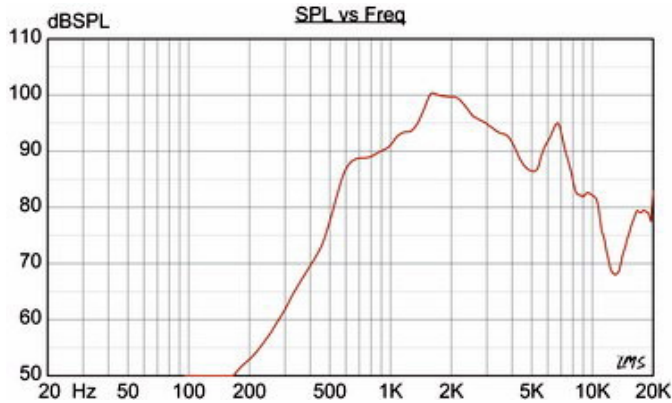




ISO 9001 CERTIFIED



Sound pressure levels at different frequencies at 1W/1m sine wave



Material / Color	Polyamide UL94 V0 / RAL 7035
Mounting	Insertion
Termination	Cable, 0,5m
Weight	0,5 kg
IP-rating	67
Max / min amb temp	130 °C / -40 °C
Rated / max power	6 W / 15 W
SPL 1W/1m.....	101 dB
SPL rated power	108 dB
Effective freq range.....	500 – 7500 Hz
Dispersion (-6dB) 1kHz / 4kHz	170° / 70°
Options	Impedances, colors, labels

Installation, Operation and Maintenance Procedures

- Fasten loudspeaker to wall or ceiling with 4 screws, cut out hole according to drawing.
- HPS-6 is delivered with cable and the cable should be terminated in a suitable junction box.
- For optimum performance, always use the correct voltage / power and operate within the frequency limits as stated.
- This loudspeaker is supplied with a 2 year warranty against defective materials and workmanship.

