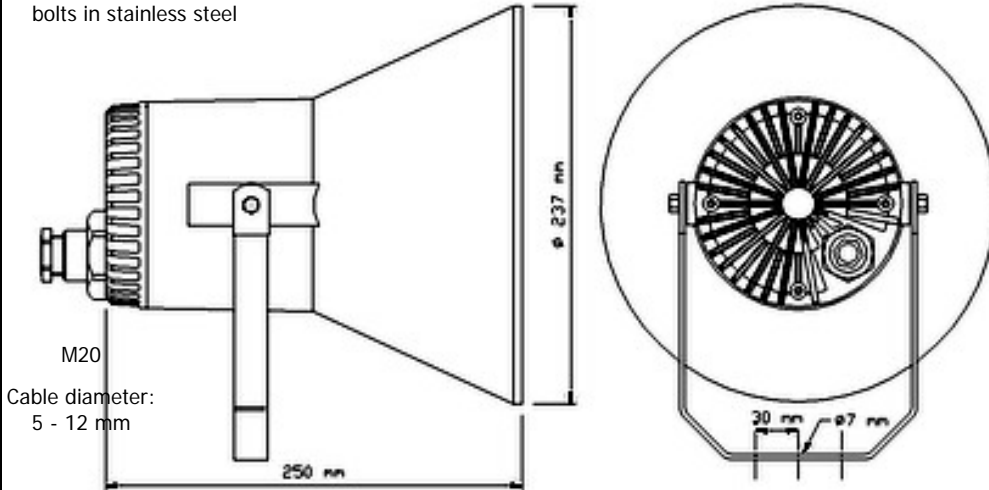


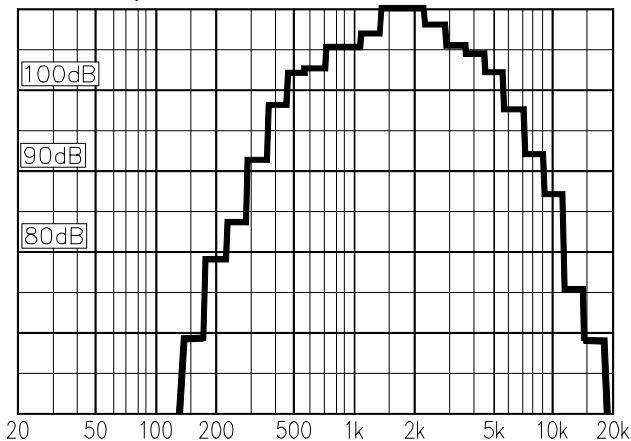


ISO 9001 CERTIFIED

Bracket and all outside nuts and bolts in stainless steel



Sound pressure levels at different frequencies at 1W/1m
1/3 octave pink noise.



Material / Colour PA/alu.alloy / RAL 7035
 Mounting Bracket
 Termination Inside screw terminal
 Weight 2,0 kg
 IP-rating 67
 Max. / min. amb. temp 150 °C / -50 °C
 Rated / max. power 60 W / 60 W
 SPL 1W/1m 110 dB
 SPL rated power 126 dB
 Effective freq. range 310 – 8000 Hz
 Dispersion (-6dB) 1kHz / 4kHz 115° / 30°
 Directivity factor, Q
 Options Impedances, colors, labels

Installation, Operation and Maintenance Procedures

- When mounting the loudspeaker please ensure that it is re-assembled in the same manner in which it was received. Fasten bracket with 1 - 3 screws.
- To change the position of the loudspeaker please adjust the bracket (by loosening / tightening the screws) as required.
- For optimum performance, always use the correct voltage / power and operate within the frequency limits as stated.
- Fasten lid with a torque of 2 - 3 Nm.
- This loudspeaker is supplied with a 2 year warranty against defective workmanship.
- Enter cable through special cable gland and terminate cable.

NB! Not available with transformer. Separate matching transformer can be delivered.

