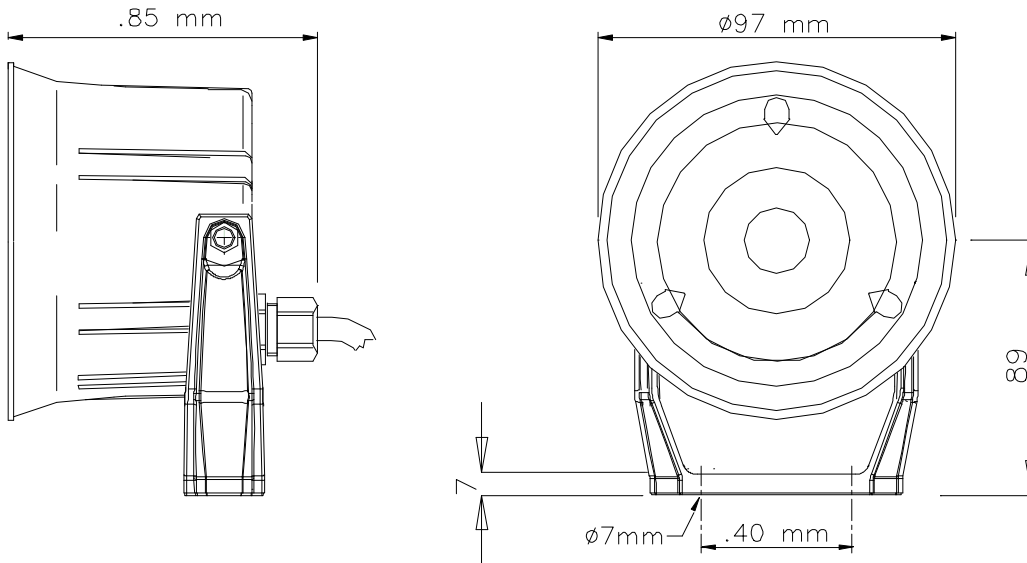
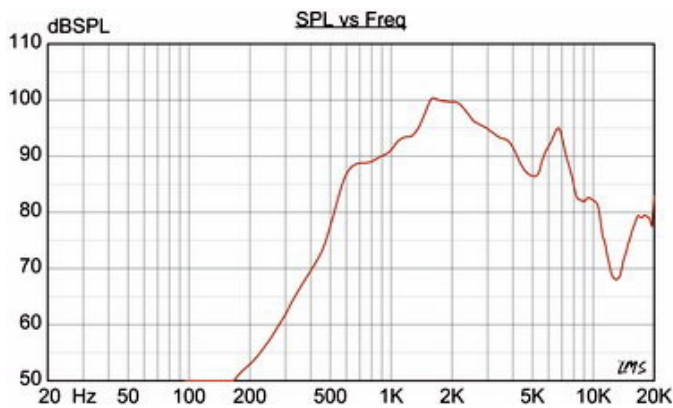




ISO 9001 CERTIFIED



Sound pressure levels at different frequencies at 1W/1m sine wave



- Material / Color Polyamide UL94 V0 / RAL 7035
- Mounting Bracket
- Termination Cable, 0,5m
- Weight 0,5 kg
- IP-rating 67
- Max / min amb temp 90 °C / -40 °C
- Rated / max. power 6 W / 15 W
- SPL 1W/1m 101 dB
- SPL rated power 108 dB
- Effective freq. range 500 – 7500 Hz
- Dispersion (-6dB) 1kHz / 4kHz 170° / 70°
- Options Impedances, colors, labels

Installation, Operation and Maintenance Procedures

- Fasten bracket with 1-3 screws, to wall or ceiling.
- To change the position of the loudspeaker, please adjust the bracket (by loosening/tightening the screws) as required.
- HP-6 is delivered with cable and the cable should be terminated in a suitable junction box.
- For optimum performance, always use the correct voltage / power and operate within the frequency limits as stated.
- This loudspeaker is supplied with a 2 year warranty against defective materials and workmanship.

