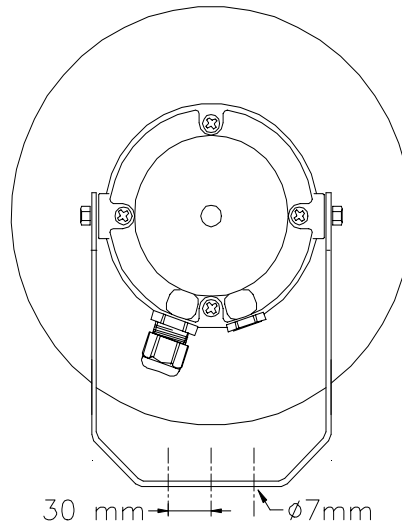
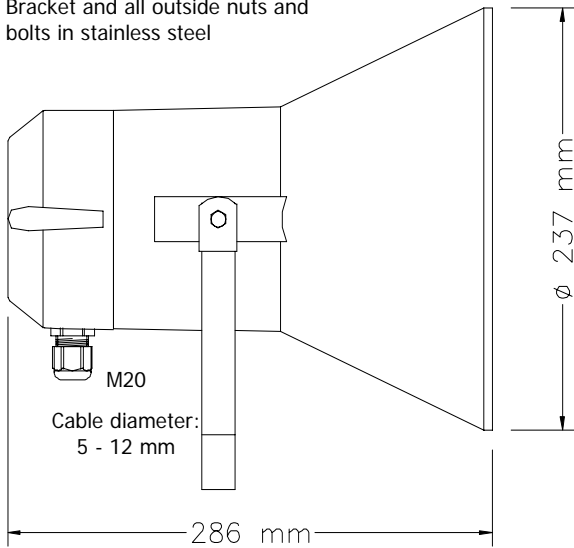




ISO 9001 CERTIFIED

Bracket and all outside nuts and bolts in stainless steel



50/70/100 volt  
Combined Transformer:

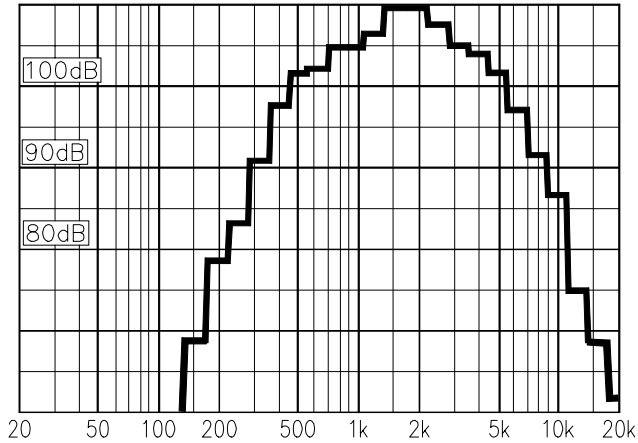
Primary connections:  
 6 : 7    50 Volt line  
 6 : 8    70 Volt line  
 6 : 9    100 Volt line

Secondary nominal  
tappings:

1 : 4    30,0 W  
 1 : 3    15,0 W  
 2 : 4    10,0 W  
 1 : 2    7,5 W  
 3 : 4    3,5 W  
 2 : 3    2,0 W

6 = White, 8= Green,  
9 = Red

1W/1m sine wave smooth 1/3 octave



Material / Colour .....Polyamide / RAL 7035  
 Mounting ..... Bracket  
 Termination ..... Internal screw connections  
 Weight ..... 2,3 kg  
 IP-rating ..... 67  
 Max. / min. amb. temp ..... 150 °C / -50 °C  
 Rated / max. power ..... 30 W / 40 W  
 SPL 1W/1m ..... 110 dB  
 SPL rated power ..... 124 dB  
 Effective freq. range ..... 310 – 8000 Hz  
 Dispersion (-6dB) 1kHz / 4kHz ..... 115° / 30°  
 Directivity factor, Q (2kHz) ..... 9,3  
 Options ..... Impedances, colors, labels

### Installation, Operation and Maintenance Procedures

- When mounting the loudspeaker please ensure that it is re-assembled in the same manner in which it was received. Fasten bracket with 1-3 screws.
- To change the position of the loudspeaker please adjust the bracket (by loosening / tightening the screws) as required.
- For optimum performance, always use the correct voltage / power and operate within the frequency limits as stated.
- Do not open loudspeaker when energized.
- Fasten lid with a torque of 2 - 3 Nm.
- This loudspeaker is supplied with a 2 year warranty against defective workmanship.

