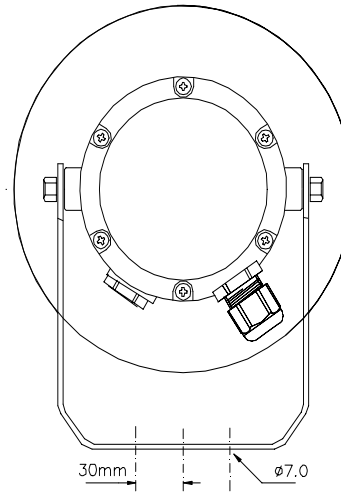
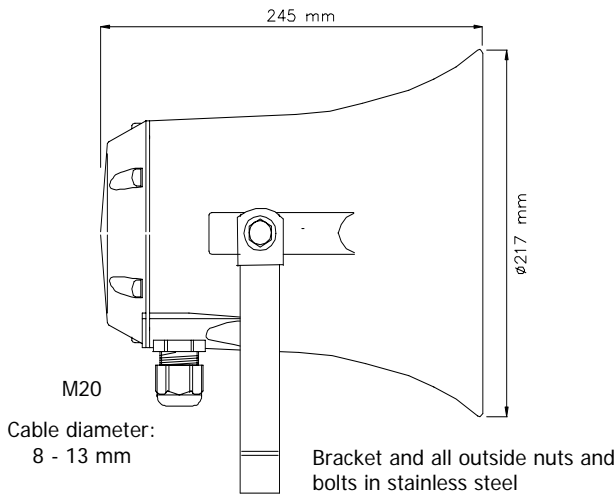




ISO 9001 CERTIFIED



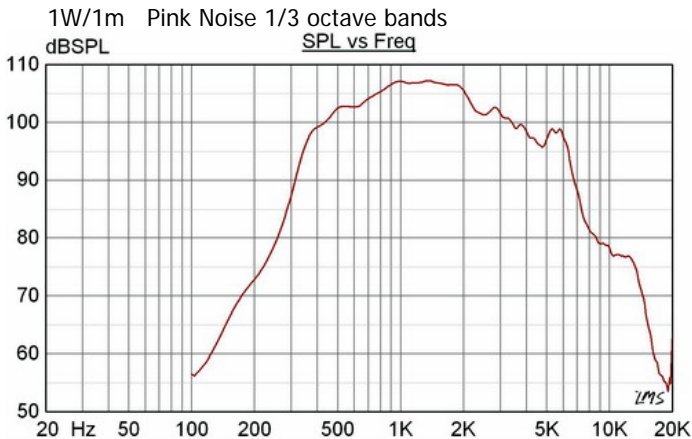
70/100 volt Combined Transformer:

6 : 8	70 Volt line
6 : 9	100 Volt line

Secondary nominal tapings:

1 : 4	25,0 W
1 : 3	12,5 W
2 : 4	8,0 W
1 : 2	7,0 W
3 : 4	3,0 W
2 : 3	1,7 W

6 = White, 8 = Green
9 = Red



Material / Color Aluminum alloy / RAL 7031
 Mounting Bracket
 Termination internal screw terminals
 Weight 3,9 kg
 IP-rating 67
 Max / min amb temp 150 °C / -50 °C
 Rated / max power 25 W / 30 W
 SPL 1W/1m 109 dB
 SPL rated power 122 dB
 Effective freq range 300 – 7000 Hz
 Dispersion (-6dB) 1kHz / 4kHz 115° / 30°
 Directivity factor, Q
 Options Impedances, colors, labels

Installation, Operation and Maintenance Procedures

- When mounting the loudspeaker please ensure that it is re-assembled in the same manner in which it was received.
- Fasten bracket by 1-3 screws.
- To change the position of the loudspeaker, please adjust the bracket (by loosening / tightening the screws) as required.
- For optimum performance, always use the correct voltage / power and operate within the frequency limits as stated.
- Do not open loudspeaker when energized.
- The aluminum surface of the loudspeaker should be regularly treated with paint at the same interval as with other similar outdoor equipment.
- Fasten lid with a torque of 2 - 3 Nm.
- This loudspeaker is supplied with a 2 year warranty against defective materials and workmanship.

