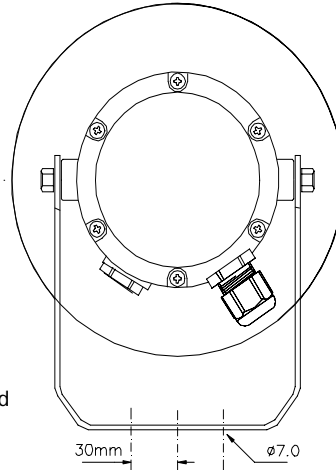
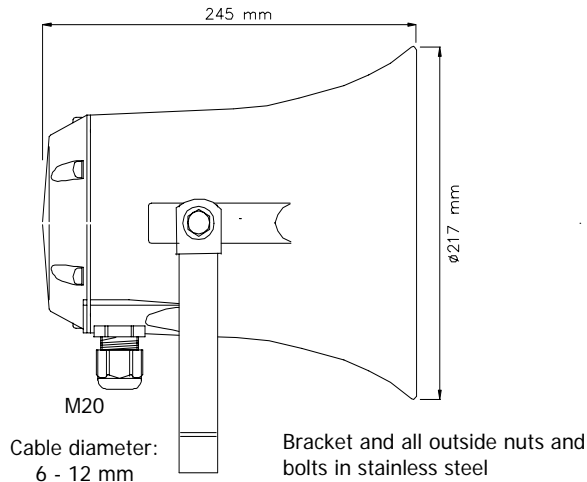




ISO 9001 CERTIFIED

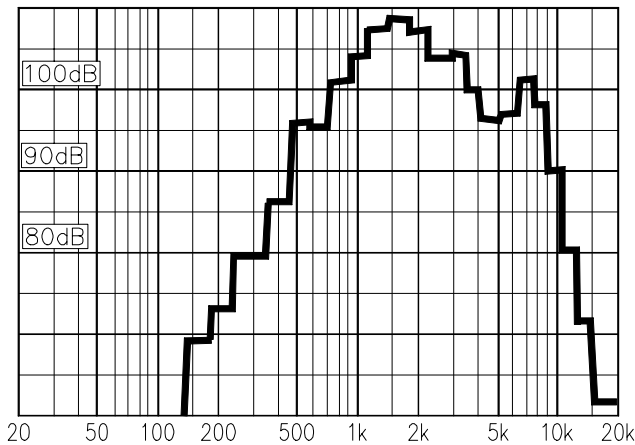


Transformer:
100 Volt line

Secondary nominal
tappings:

1 : 4	50 W
1 : 3	25 W
2 : 4	20 W
1 : 2	15 W
3 : 4	8,0 W
2 : 3	4,0 W

1W/1m Pink Noise 1/3 octave bands



Material / Colour Aluminium alloy (LM-6) / RAL 7031
 Mounting Bracket
 Termination Internal screw terminals
 Weight 3,7 kg
 IP-rating 67
 Max. / min. amb. temp 150 °C / -50 °C
 Standard version 100 V transformer
 Rated / max. power 50 W / 80 W
 SPL 1W/1m 109 dB
 SPL rated power 125 dB
 Effective freq. range 300 – 7000 Hz
 Dispersion (-6dB) 1kHz / 4kHz 115° / 30°
 Directivity factor, Q

Installation, Operation and Maintenance Procedures

- When mounting the loudspeaker please ensure that it is re-assembled in the same manner in which it was received.
- To change the position of the loudspeaker please adjust the bracket (by loosening / tightening the screws) as required.
- For optimum performance, always use the correct voltage / power and operate within the frequency limits as stated.
- Do not open loudspeaker when energized.
- The loudspeaker should be checked on a regular basis to avoid any build up of debris.
- Fasten lid with a torque of 2 - 3 Nm.
- This loudspeaker is supplied with a 2 year warranty against defective workmanship.

Most of our products are available in different colors, impedances and power ratings.

