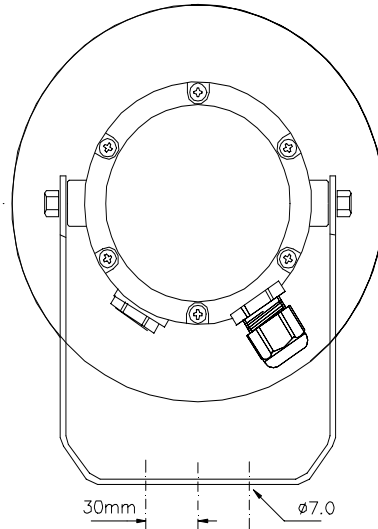
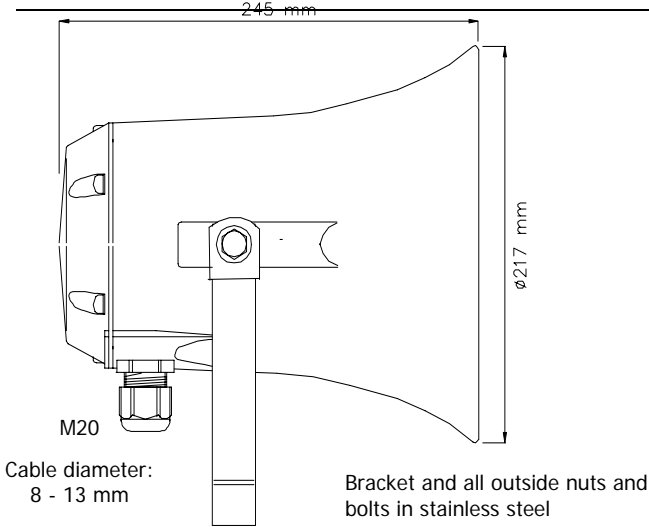




ISO 9001 CERTIFIED

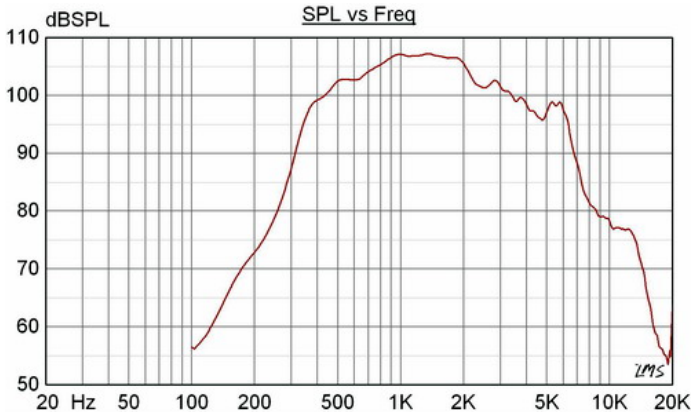


50/100 Volt Combined Transformer
(Optional 70V)
Primary Connectors:
6 : 8 70 Volt line
6 : 9 100 volt line

Secondary nominal tapings:
1 : 4 25,0 W
1 : 3 12,5 W
2 : 4 8,0 W
1 : 2 7,0 W
3 : 4 3,0 W
2 : 3 1,7 W

6 = White, 8 = Green
9 = Red

Soud pressure levels at different frequencies at 1W/1m sine wave.



Material / Color Aluminum alloy / RAL 7031
Mounting Bracket
Termination Screw terminal
Weight 3,9 kg
IP-rating 55
Max / min amb temp 150 °C / -50 °C
Rated / max power 25 W / 30 W
SPL 1W/1m 109 dB
SPL rated power 122 dB
Effective freq. range 300 – 7000 Hz
Dispersion (-6dB) 1kHz / 4kHz 115° / 30°
Options Impedances, colors, labels

Installation, Operation and Maintenance Procedures

- When mounting the loudspeaker please ensure that it is re-assembled in the same manner in which it was received.
- Fasten the loudspeaker to the wall with 3 screws on the bracket.
- To change the position of the loudspeaker, please adjust the bracket (by loosening / tightening the screws) as required.
- Fasten lid with a torque of 2 - 3 Nm.
- H-62S is designed to withstand sound shocks (maximum 175 dB).
- Do not open loudspeaker when energized.
- For optimum performance, always use the correct voltage / power and operate within the frequency limits as stated.
- The aluminum surface of the loudspeaker should be regularly treated with paint at the same interval as with other similar outdoor equipment.
- This loudspeaker is supplied with a 2 year warranty against defective materials and workmanship.

