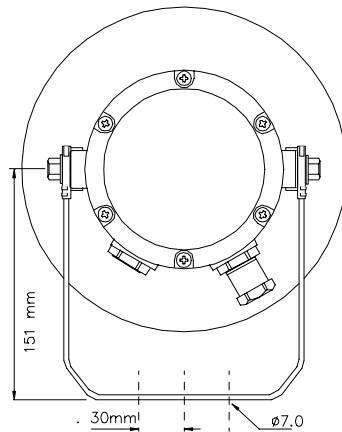
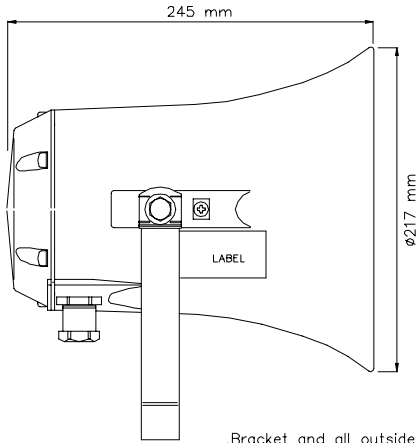




ISO 9001 CERTIFIED



M20 EExe ATEX approved cable gland and blind plug. Cable dia: 8 - 13mm

Transformer:
100 V line (options 70V, 50V)

From speaker:
Yellow to black
Primary nominal tapings:
1 : 2 20,0 W
1 : 3 10,0 W
1 : 4 5,0 W

From speaker:
Yellow to white
Primary nominal tapings:
1 : 2 2,5 W
1 : 3 1,2 W
1 : 4 0,6 W

1 = Red, 2 = Yellow
3 = Green, 4 = Blue

Certified by / Certification code / Number: NEMKO / EEx de IIB+H₂ T5 / 01 ATEX 046
Certified by / Certification code / Number: NEMKO / EEx de IIC T5 / 01 ATEX 046



1W/1m sine wave smooth 1/3 octave IIB+H₂ version



IIB IIC

Material / Color Aluminum alloy SS4263 / RAL 7031
Mounting Bracket
Termination e-chamber, screw terminals
Weight 5,0 kg
IP-rating (UL equivalent) 67
Max / min amb temp 50°C / -50°C
Rated / max power 20 W / 20 W
SPL 1W/1m 106 dB 101 dB
SPL rated power 117 dB 114 dB
Effective freq. range 370 - 6000 Hz 400-5000
Dispersion (-6dB) 1kHz / 4kHz 125° / 35° 105° / 35°
Directivity factor, Q
Options Impedances, colors, labels

Installation, Operation and Maintenance Procedures

- When mounting the loudspeaker please ensure that it is re-assembled in the same manner in which it was received. Fasten the bracket with 2 screws and ensure to use all washers in the intended position. (To isolate the main body from the bracket)
- To change the position of the loudspeaker, please adjust the bracket (by loosening / tightening the screws) as required.
- For optimum performance, always use the correct voltage / power and operate within the frequency limits as stated.
- Use only certified/specified cable glands and blanking plugs.
- Do not open loudspeaker when energized.
- The loudspeaker should be checked on a regular basis to avoid any build up of debris.
- The aluminum surface of the loudspeaker should be regularly treated with paint at the same interval as with other similar outdoor equipment.
- Fasten lid screws with a torque of 2 - 3 Nm to assure the IP rating.
- If the Ex-loudspeaker is to be earthed, it must be done correctly using the specially marked screws.
- This loudspeaker is supplied with a 2-year warranty against defective materials and workmanship.

