

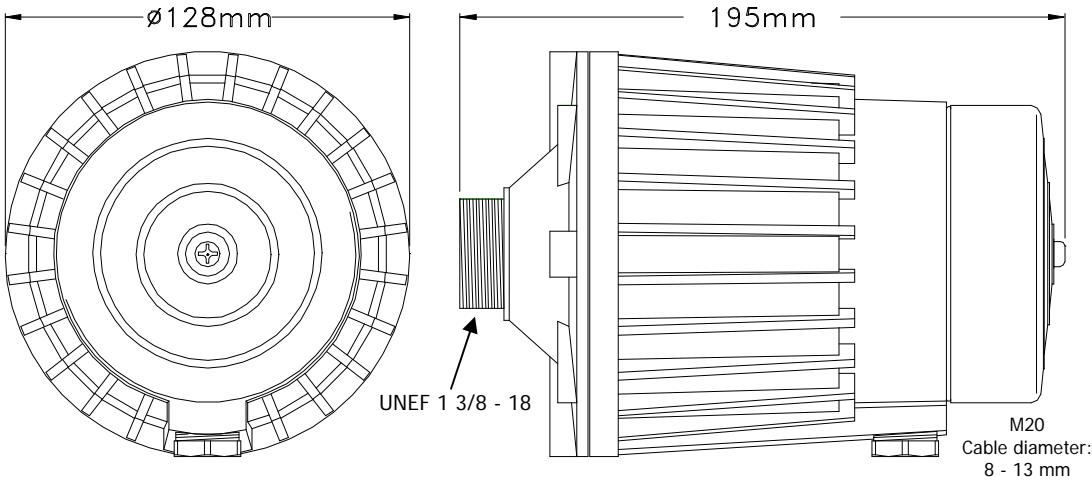


# DNH<sup>AS</sup>

## DST-40EExeN(T)

Morrison's Public Address email: sales@morrison sav.com

ISO 9001 CERTIFIED



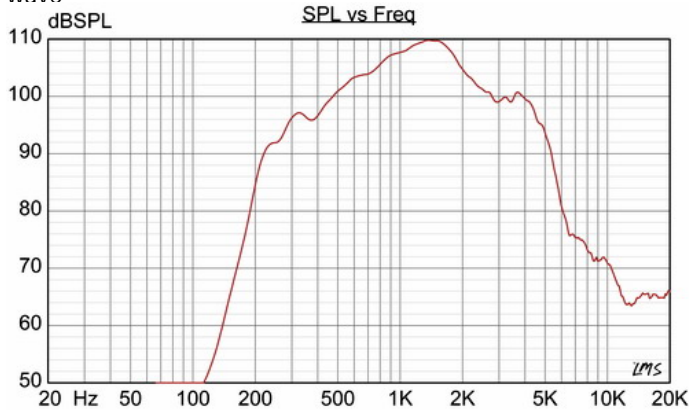
Transformer:  
100 V line (optional 70V, 50V)

Primary nominal tapings:  
1 : 2 40,0 W  
1 : 3 20,0 W  
1 : 4 10,0 W

Certified by / Certification code / Number: NEMKO / EEx de IIB+H<sub>2</sub> T4 / 04 ATEX 1371  
Certified by / Certification code / Number: NEMKO / EEx de IIC T4 / 04 ATEX 1371



Sound pressure levels at different frequencies at 1W/1m sine wave



(This curve is tested with DH-30 horn.)

	IIB	IIC
Material / Color .....	Aluminum alloy / RAL 9005	
Mounting .....	Threaded UNE F 1 3/8 - 18	
Termination .....	Inside screw terminals	
Weight driver unit .....	2,5 kg	
IP-rating .....	67	
Max / min amb temp .....	50 °C / -50 °C	
Rated / max power .....	40 W / 40 W	
SPL 1W/1m with horn .....	111 dB	108 dB
SPL rated power with horn .....	125 dB	122 dB
Effective freq range with horn .....	300 – 5000 Hz	450-4000
Dispersion (-6dB) 1kHz / 4kHz .....	50° / 20°	50° / 20°
Options .....	Impedances, colors, labels	

### Installation, Operation and Maintenance Procedures

- Screw driver unit into a suitable horn. Remove lid, connect wires to the ATEX certified terminal, and turn lid back on with gasket. Fasten lid with a torque of 2 – 3 Nm.
- For optimum performance, always use the correct voltage / power and operate within the frequency limits as stated.
- The aluminum surface of the loudspeaker should be regularly treated with paint at the same interval as with other similar outdoor equipment.
- This loudspeaker is supplied with a 2 year warranty against defective materials and workmanship.



DNH reserves the right to alter specifications without notice.

Rev. 18.12.2007