

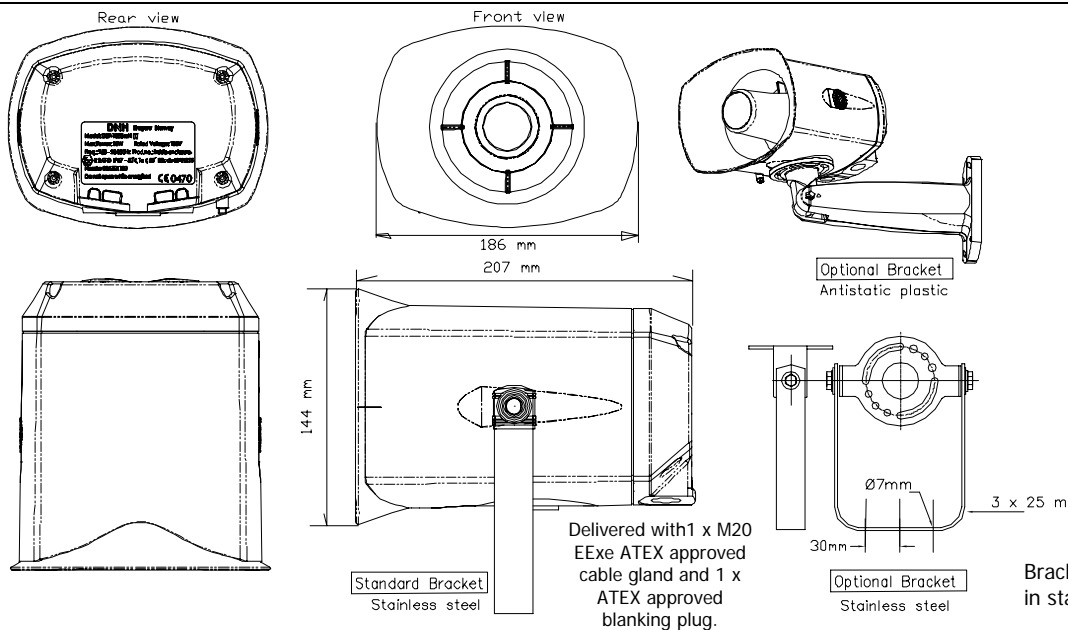


# DNH<sup>AS</sup>

## DSP-15 EExeN(T)

Morrison's Public Address email: sales@morrison.sav.com

ISO 9001 CERTIFIED



Transformer:  
100 V line (optional 70V, 50V)

HIGH primary tapings:  
Yellow to black (4)  
1 : 2      15,0 W  
1 : 3      7,5 W

LOW primary tapings:  
Yellow to white (4)  
1 : 2      4,0 W  
1 : 3      2,0 W

1 = Red, 2 = Yellow  
3 = Blue

Cable dia: 10 – 15mm

**Loop in / Loop out**

Bracket and all outside nuts and screws  
in stainless steel.

Delivered with 1 x M20  
EExe ATEX approved  
cable gland and 1 x  
ATEX approved  
blanking plug.

Certified by/ Certification Code/ Number: NEMKO / EEx de IIB + H2 T5 /03ATEX100

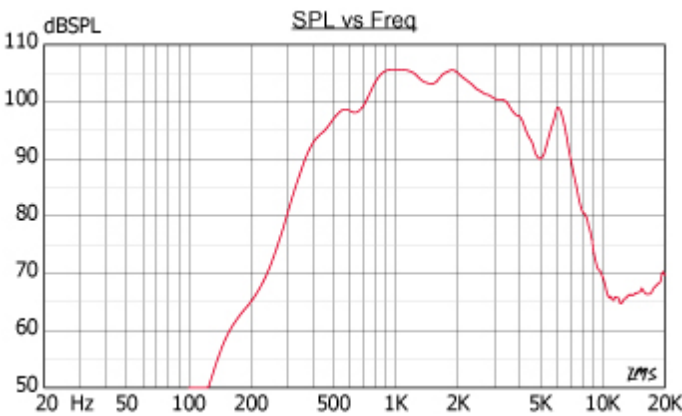
Certified by/ Certification code/ Number: NEMKO / EEx de IIC T5 / 03ATEX100

Certified by/ Certification Code/ Number: NEMKO/ EExde IIC T4/ 03ATEX100 (25W)

Certified by/ Certification Code/ Number: NEMKO/ EEx dem IIB + H2 T5 /03ATEX100 (6 tapings possible, moulded transformer)



Sound pressure levels at different frequencies at 1W/1m sine wave



IIB      IIC

Material / Color .....	Anti-static PA / Black	
Mounting .....	Bracket	
Termination .....	e-chamber, screw terminals	
Weight w/ transformer .....	2,2 kg	
IP-rating .....	67	
Max / min amb temp .....	50°C / -50°C	
Rated / max. power .....	15 W / 15 W	
SPL 1W/1m.....	105 dB	102 dB
SPL rated power .....	116 dB	113 dB
Effective freq range.....	410 – 7000 Hz	500-6000
Dispersion (-6dB) 1kHz / 4kHz .....	200° / 50°	105° / 35°
Options .....	Impedances, colors, labels	

### Installation, Operation and Maintenance Procedures

- When mounting the loudspeaker please ensure that it is re-assembled in the same manner in which it was received. Fasten bracket with 1-3 screws.
- To change the position of the loudspeaker, please adjust the standard U- bracket (by loosening / tightening the screws) as required.
- DSP-15 EExeN/T can be supplied with 3 different bracket systems, according to customer requirements.
- DSP-15EExeN/T can be delivered as 25W version with transformer.
- For optimum performance, always use the correct voltage / power and operate within the frequency limits as stated.
- Use only certified/specified cable glands and blanking plugs.
- Do not open loudspeaker when energized.
- Fasten lid with a torque of 2 - 3 Nm.
- This loudspeaker is supplied with a 2 year warranty against defective materials and workmanship.



DNH reserves the right to alter specifications without notice.

Rev. 04.06.2007