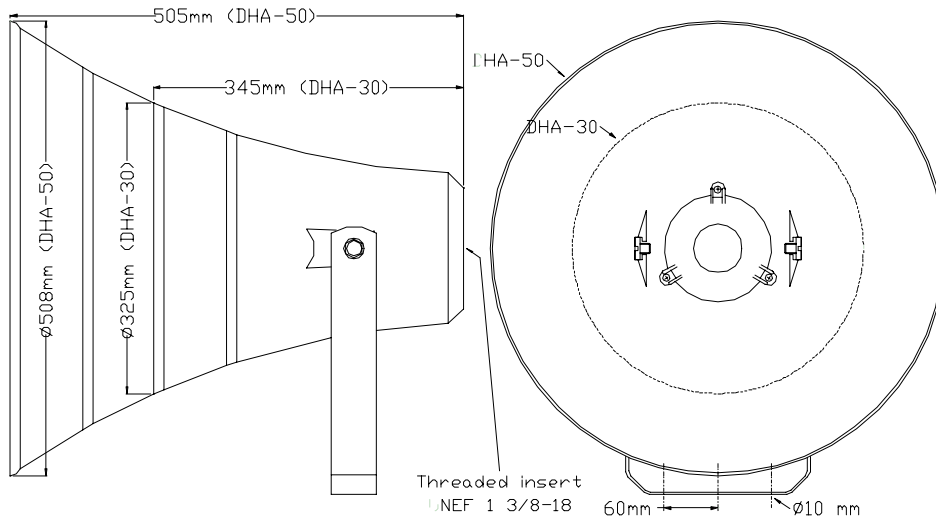
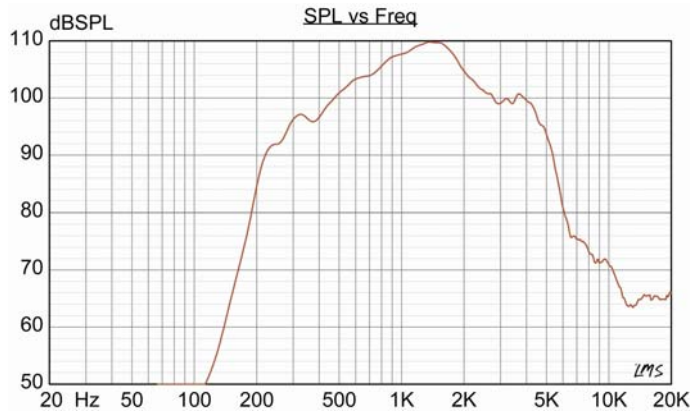




ISO 9001 CERTIFIED



Sound pressure levels at different frequencies at 1W/1m sine wave



Material / Color	Fiberglass polyester Anti-static / Black
Mounting	Bracket
Termination	
Weight DH-30 / DH-50.....	3,6 kg / 5,15 kg
IP-rating	
Max. / min. amb. temp	
Rated / max. power	
SPL 1W/1m	
SPL rated power	
Effective freq. range	
Dispersion (-6dB) 1kHz / 4kHz.....	
Directivity factor, Q.....	
Options	

(This curve is tested with DHA-30 horn and DST-40 EEx.)

Installation, Operation and Maintenance Procedures

- Fasten bracket with 1-3 screws.
- To change the position of the horn please adjust the bracket (by loosening / tightening the screws) as required.
- This horn is supplied with a 2 year warranty against defective workmanship.

