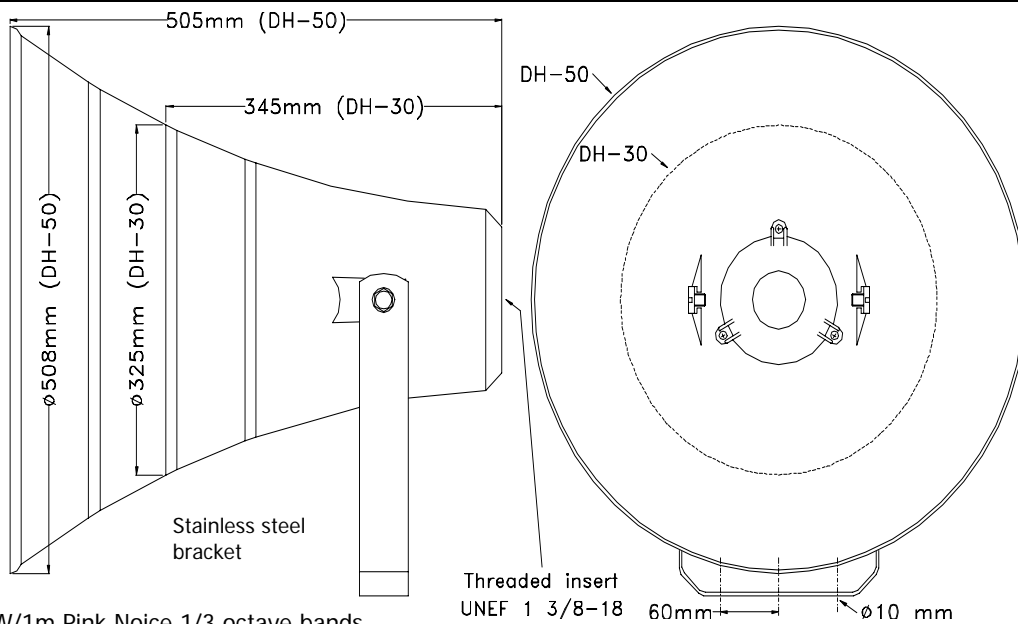
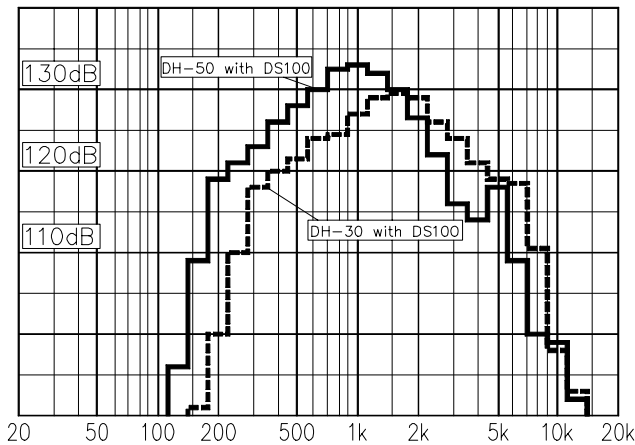




ISO 9001 CERTIFIED



100W/1m Pink Noise 1/3 octave bands



Material / Colour .. Fiberglass laminated polyester / RAL 7035
 Mounting Bracket
 Termination
 Weight DH-30 / DH-50 3,6 kg / 5,15 kg
 IP-rating
 Max. / min. amb. temp
 Standard version
 Rated / max. power
 SPL 1W/1m
 SPL rated power
 Effective freq. range
 Dispersion (-6dB) 1kHz / 4kHz
 Directivity factor, Q
 Options Impedances, colors, labels

Installation, Operation and Maintenance Procedures

- To change the position of the horn please adjust the bracket (by loosening / tightening the screws) as required.
- This horn is supplied with a 2 year warranty against defective workmanship.

