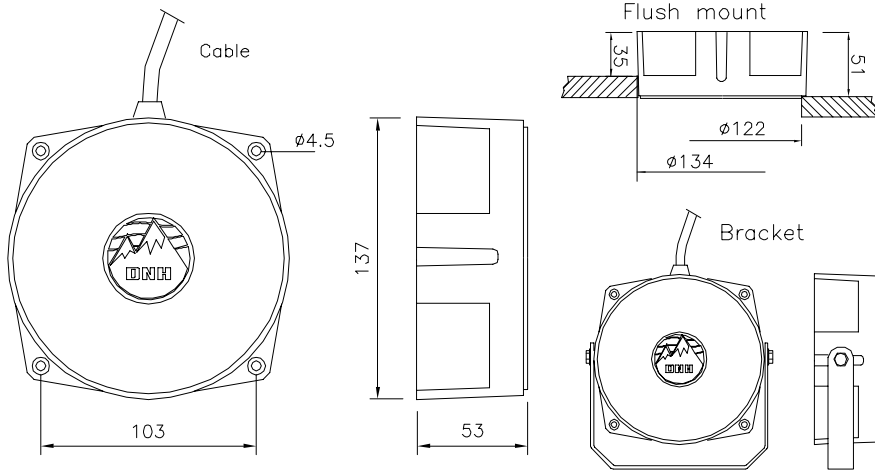




ISO 9001 CERTIFIED



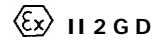
Transformer:
100 V line (optional 70V, 50V)

Primary nominal tapings:
1 : 2 6,0 W
1 : 3 3,0 W
1 : 4 1,5 W

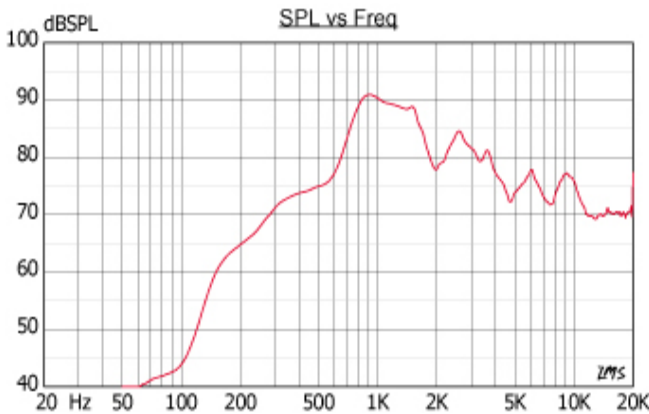
Screen = Earth connection

Certified by / Certification code / Number:

NEMKO / EEx m II T6 / 03 ATEX 202x



Sound pressure levels at different frequencies at 1W/1m sine wave.



Material / Color Anti-static polyamide / Black
 Mounting 4 screws or bracket
 Termination Radox Cable, 1,5 m
 Weight w/ transformer 2,2 kg
 IP-rating 67
 Max / min amb temp 40°C / -20°C
 Max power 6 W
 SPL 1W/1m 85 dB
 SPL rated power 93 dB
 Effective freq range 300 – 20000 Hz
 Dispersion (-6dB) 1kHz / 4kHz 180° / 130°
 Directivity factor, Q
 Options Impedance, color, label

Installation, Operation and Maintenance Procedures

- Use 4 screws for mounting on wall, alternative flush mounting.
- When mounting with bracket, use the slit on each side to connect the bracket to the loudspeaker.
- For optimum performance, always use the correct voltage / power and operate within the frequency limits as stated.
- CM-6 EExmN (T) is designed for Ex- clean room applications.
- **Special conditions for safe use:** Resistance to impact 4 Joule due to low risk of mechanical danger. The equipment is delivered with the supply cable permanently connected to it. The free end needs to be appropriately protected.
- This loudspeaker is supplied with a 2 year warranty against defective materials and workmanship.

