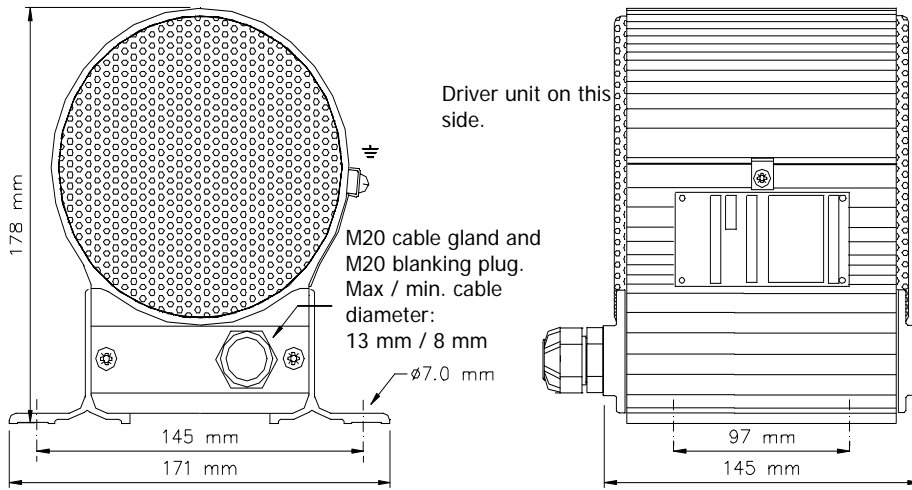




ISO 9001 CERTIFIED



Transformer:
100 V line (optional 70V, 50V)

Primary nominal tapings:
1 : 2 6,0W
2 : 3 3,0 W
3 : 4 1,5W
1 : 4 0,3 W

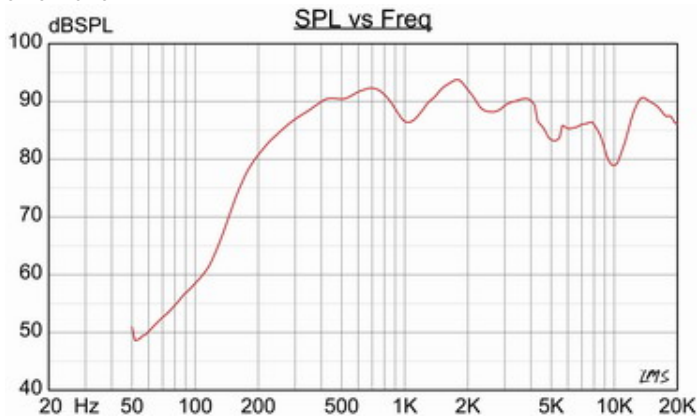
1 = Red, 2 = Yellow
3 = Green, 4 = Blue

All outside nuts
and screws in
stainless steel

Certified by/ Certification code / Number : NEMKO / EEx de IIB+H2 T6 / Nemko 02 ATEX 063



Sound pressure levels at different frequencies at 1W/1m
sine wave



Material / Color Aluminum / anodized
 Mounting Foot Bracket
 Termination e-chamber, screw terminals
 Weight w/ transformer 4,0 kg
 IP-rating (e-chamber) 54
 Max / min amb temp 40°C / -20°C
 Rated / max power 6 W / 6 W
 SPL 1W/1m 90 dB
 SPL rated power 97 dB
 Effective freq range 160 – 20000 Hz
 Dispersion (-6dB) 1kHz / 4kHz 180° / 90°
 Options Impedance, color, label

Installation, Operation and Maintenance Procedures

- When mounting the loudspeaker please ensure that it is re-assembled in the same manner in which it was received.
- Fasten loudspeaker to wall or ceiling with 4 screws by use of the extruded aluminium brackets on each side.
- Enter the e-chamber by loosening the screws on the lid and terminate the cable in the screw terminal.
- Fasten lid screws with a torque of 2 - 3 Nm to assure the IP rating.
- For optimum performance, always use the correct voltage / power and operate within the frequency limits as stated.
- Use only certified/specified cable glands and blanking plugs.
- Do not open loudspeaker when energized.
- Ex-loudspeakers must be earthed correctly using the specially marked screws.
- This loudspeaker is supplied with a 2 year warranty against defective materials and workmanship.

