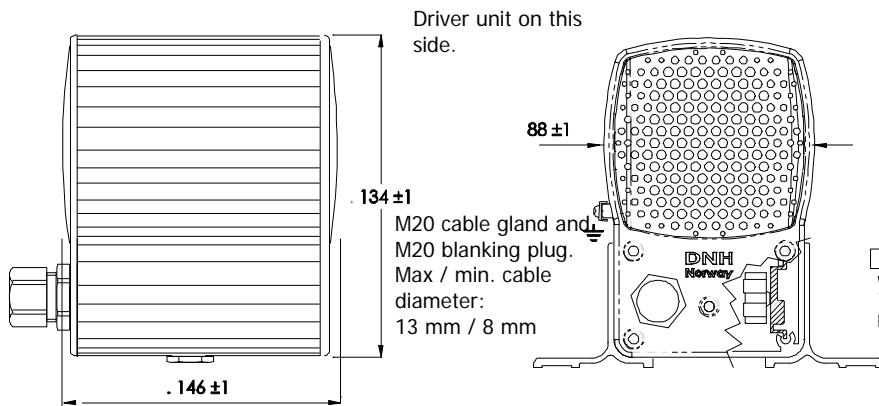




ISO 9001 CERTIFIED



Transformer:  
100 V line (optional 70V, 50V)

Primary nominal tapings:

1 : 2	6,0W
2 : 3	3,0W
3 : 4	1,5W
1 : 3	1,0W
2 : 4	0,6W
1 : 4	0,4W

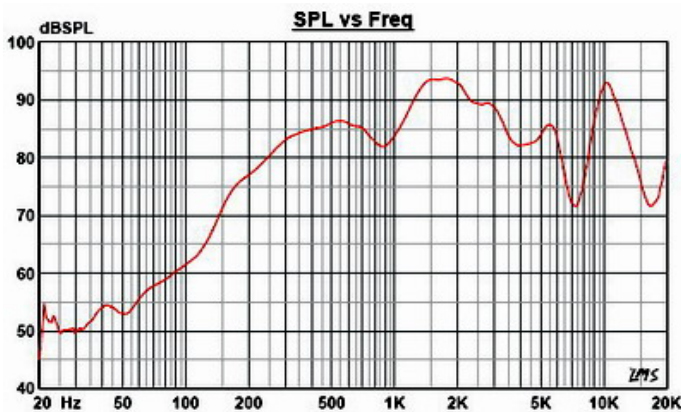
1 = Red, 2 = Yellow  
3 = Green, 4 = Blue

All outside nuts and screws in stainless steel

Certified by/ Certification code / Number : NEMKO / EEx de IIB+H2 T6 / Nemko 07 ATEX 1019



Sound pressure levels at different frequencies at 1W/1m sine wave



Material / Color ..... Aluminum / anodized  
 Mounting ..... Foot Bracket  
 Termination ..... e-chamber, screw terminals  
 Weight w/ transformer ..... 2,1 kg  
 IP-rating (e-chamber) ..... 54  
 Max / min amb temp ..... 40°C / -20°C  
 Rated / max power ..... 6 W / 6 W  
 SPL 1W/1m ..... 88 dB  
 SPL rated power ..... 95 dB  
 Effective freq range ..... 250 – 20000 Hz  
 Dispersion (-6dB) 1kHz / 4kHz ..... ° / °  
 Options ..... Impedance, color, label

### Installation, Operation and Maintenance Procedures

- When mounting the loudspeaker please ensure that it is re-assembled in the same manner in which it was received.
- Fasten loudspeaker to wall or ceiling with 4 screws by use of the extruded aluminium brackets on each side.
- Enter the e-chamber by loosening the screws on the lid and terminate the cable in the screw terminal.
- Fasten lid screws with a torque of 2 - 3 Nm to assure the IP rating.
- For optimum performance, always use the correct voltage / power and operate within the frequency limits as stated.
- Use only certified/specified cable glands and blanking plugs.
- Do not open loudspeaker when energized.
- Ex-loudspeakers must be earthed correctly using the specially marked screws.
- This loudspeaker is supplied with a 2 year warranty against defective materials and workmanship.

