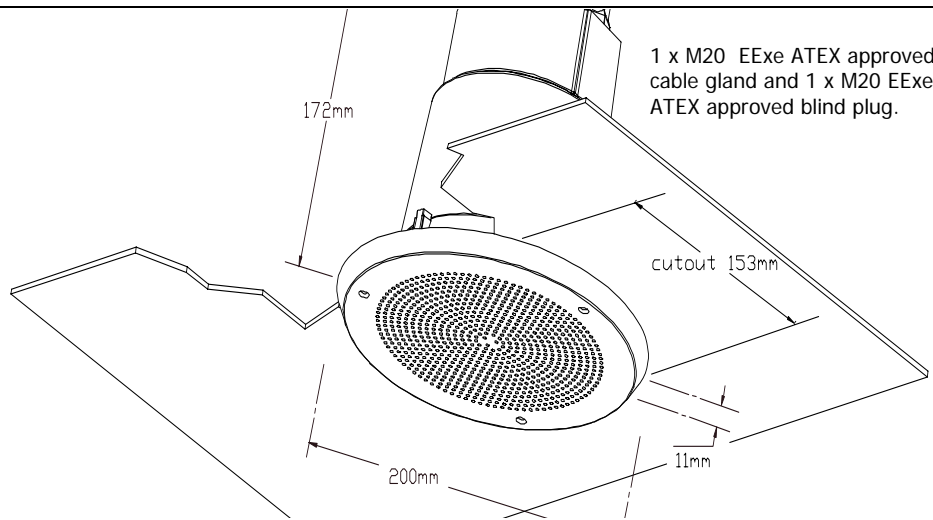




ISO 9001 CERTIFIED



Transformer:
100 Volt line

Primary nominal
tappings:

1 : 2	6,0 W
2 : 3	3,0 W
3 : 4	1,5 W
1 : 3	1,0 W
2 : 4	0,5 W
1 : 4	0,3 W

1 = Red, 2 = Yellow
3 = Green, 4 = Blue

Certified by/ Certification code / Number : NEMKO / EEx de IIB+H2 T6 / 01 ATEX 122

Sound pressure levels at different frequencies at 1W/1m
1/3 octave pink noise.



Material / Color Aluminium / RAL 9010
 Mounting 3 screws
 Termination e-chamber, screw terminals
 Weight 4,0 kg
 IP-rating (e-chamber)..... 54
 Max. / min. amb. temp..... 50°C / -20°C
 Standard version 100 V transformer
 Rated / max. power 6 W / 6 W
 SPL 1W/1m..... 90 dB
 SPL rated power 97 dB
 Effective freq. range..... 160 – 20000 Hz
 Dispersion (-6dB) 1kHz / 4kHz 120° / 55°
 Options Impedance, color, label

Installation, Operation and Maintenance Procedures

- When mounting the loudspeaker please ensure that it is re-assembled in the same manner in which it was received.
- Enter the e-chamber by loosening the screws on the lid and terminate cable in the screw terminal.
- If earthing, earth correctly using the specially marked screws.
- Fasten lid screws with a torque of 2 - 3 Nm to assure the IP rating.
- Secure the loudspeaker to ceiling or wall by 3 screws and then mount the grill to the speaker with 3 screws (enclosed).
- For optimum performance, always use the correct voltage / power and operate within the frequency limits as stated.
- Use only certified/specified cable glands and blanking plugs.
- Do not open loudspeaker when energized.
- This loudspeaker is supplied with a 2-year warranty against defective workmanship.

