



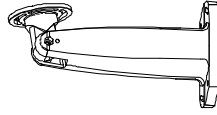
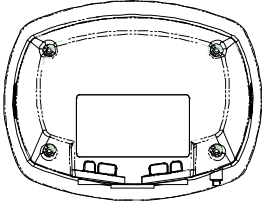
DNH^{AS}

DSP-15 (T) SL

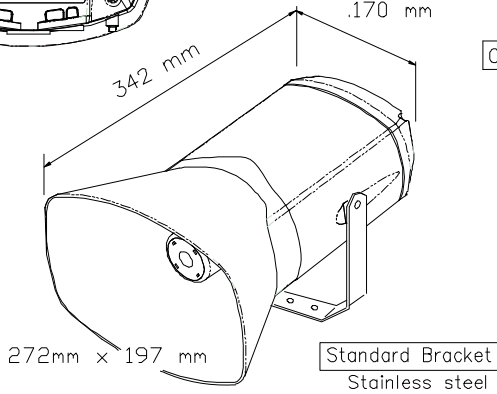
Morrison's Public Address email: sales@morrison.sav.com

ISO 9001 CERTIFIED

Rear view



Optional Bracket



70/100 volt Combined Transformer:

Primary connections:

5 : 7	70 Volt line
5 : 8	100 Volt line

Secondary nominal tapings:

1 : 4	25,0 W
1 : 3	14,0 W
1 : 2	7,5 W
2 : 3	2,0 W

Bracket and all outside nuts and screws in stainless steel.

1W/1m sine wave smooth 1/3 octave

SPL vs Freq



Material / Color ASA / RAL 7035
 Mounting Bracket
 Termination screw terminals
 Weight w/ transformer 2,3 kg
 IP-rating 67
 Max / min amb temp 50°C / -50°C
 Rated / max. power 25 W / 25 W
 SPL 1W/1m 112 dB
 SPL rated power 124 dB
 Effective freq range 370 – 7000 Hz
 Dispersion (-6dB) 1kHz / 4kHz 140° / 40°
 Directivity factor, Q (1 kHz) 1,8
 Options Impedances and labels

Installation, Operation and Maintenance Procedures

- When mounting the loudspeaker please ensure that it is re-assembled in the same manner in which it was received.
- To change the position of the loudspeaker, please adjust the standard U- bracket (by loosening / tightening the screws) as required.
- DSP-15 sL (T) can be supplied with 3 different bracket systems, according to customer requirements.
- For optimum performance, always use the correct voltage / power and operate within the frequency limits as stated.
- Use only certified/specified cable glands and blanking plugs.
- Do not open loudspeaker when energized.
- Fasten lid with a torque of 2 - 3 Nm.
- This loudspeaker is supplied with a 2 year warranty against defective materials and workmanship.



DNH reserves the right to alter specifications without notice.

Rev. 24.09.2008