

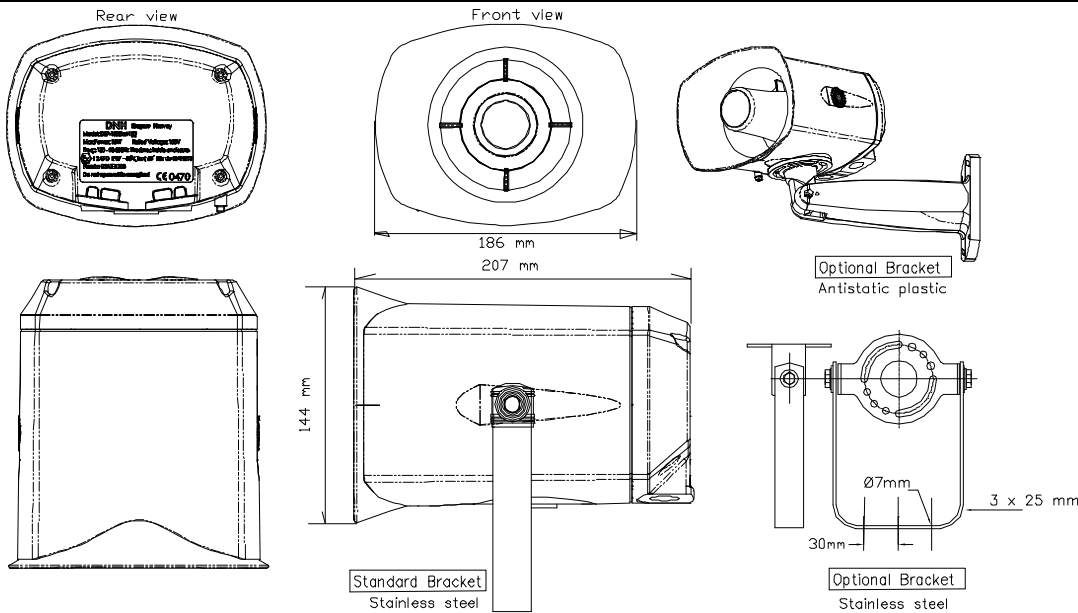


# DNH<sup>AS</sup>

## DSP-15(T)

Morrison's Public Address email: sales@morrisonssav.com

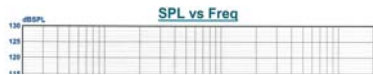
ISO 9001 CERTIFIED



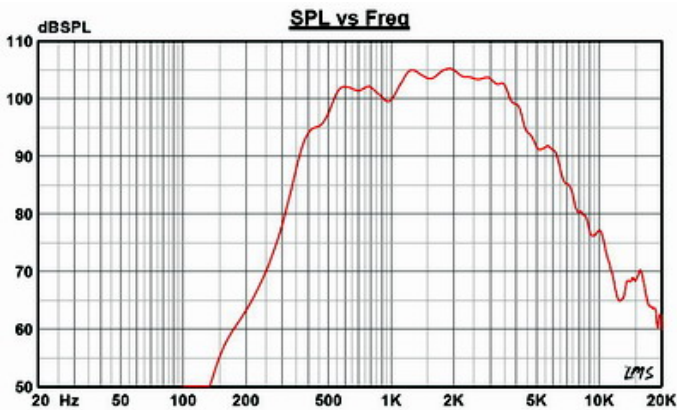
70/100 volt Combined Transformer:

Primary connections:  
 5 : 7            70 Volt line  
 5 : 8            100 Volt line

Secondary nominal tapings:  
 1 : 4    15,0 W  
 1 : 3    8,0 W  
 2 : 4    5,0 W  
 1 : 2    4,5 W  
 3 : 4    2,5 W  
 2 : 3    1,0 W



1W/1m sine wave smooth 1/3 octave



Material / Color ..... ASA / RAL 7035  
 Mounting ..... Bracket  
 Termination ..... screw terminals  
 Weight w/ transformer ..... 2,2 kg  
 IP-rating (UL equivalent) ..... 67  
 Max / min amb temp ..... 90°C / -50°C  
 Rated / max power ..... 15 W / 20W  
 SPL 1W/1m ..... 105 dB  
 SPL rated power ..... 116 dB  
 Effective freq range ..... 370 – 7000 Hz  
 Dispersion (-6dB) 1kHz / 4kHz ..... 140° / 40°  
 Directivity factor, Q (1 kHz) ..... 1,8  
 Options ..... Impedances, colors, labels

### Installation, Operation and Maintenance Procedures

- When mounting the loudspeaker please ensure that it is re-assembled in the same manner in which it was received. Fasten bracket by 1-3 screws.
- To change the position of the loudspeaker, please adjust the standard U- bracket (by loosening / tightening the screws) as required.
- DSP-15(T) can be supplied with 3 different bracket systems, according to customer requirements.
- For optimum performance, always use the correct voltage / power and operate within the frequency limits as stated.
- Do not open loudspeaker when energized.
- Fasten lid with a torque of 2 - 3 Nm to assure the IP rating.
- This loudspeaker is supplied with a 2 year warranty against defective materials and workmanship.



DNH reserves the right to alter specifications without notice.

Rev. 03.03.2007