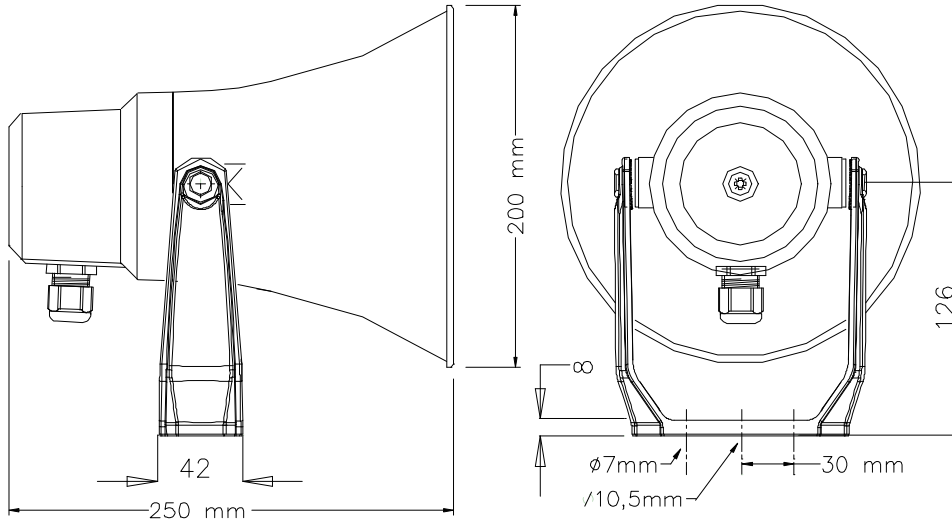




ISO 9001 CERTIFIED



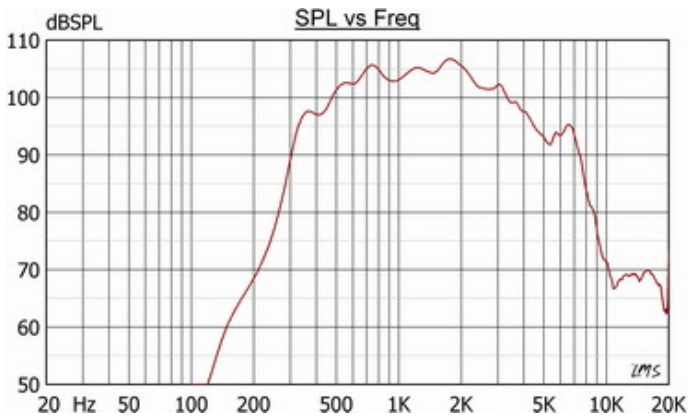
70/100 volt Combined Transformer:

Primary connections:  
5 : 7 70 Volt line  
5 : 8 100 Volt line

Secondary nominal tapings:

C : 4 15,0 W  
C : 3 7,5 W  
C : 2 4,0 W  
C : 1 2,0 W

Sound pressure levels at different frequencies at 1W/1m sine wave



Material / Color ..... ASA / RAL 7035  
 Mounting ..... Bracket  
 Termination ..... Inside screw connections  
 Weight ..... 1,7 kg  
 IP-rating ..... 56  
 Max. / min. amb. temp ..... 90 °C / -50 °C  
 Rated / max. power ..... 15 W / 20 W  
 SPL 1W/1m ..... 108 dB  
 SPL rated power ..... 118 dB  
 Effective freq. range ..... 330 – 8000 Hz  
 Dispersion (-6dB) 1kHz / 4kHz ..... 130° / 35°  
 Directivity factor, Q (2kHz) ..... 8,3  
 Options ..... Impedances, colors, labels

### Installation, Operation and Maintenance Procedures

- When mounting the loudspeaker please ensure that it is re-assembled in the same manner in which it was received. Fasten the bracket with 1-3 screws and ensure to use all washers in the intended position to assure the IP rating.
- To change the position of the loudspeaker please adjust the bracket (by loosening / tightening the screws) as required.
- For optimum performance, always use the correct voltage / power and operate within the frequency limits as stated.
- Do not open loudspeaker when energized.
- Fasten lid with a torque of 1 - 2 Nm.
- This loudspeaker is supplied with a 2 year warranty against defective workmanship.

