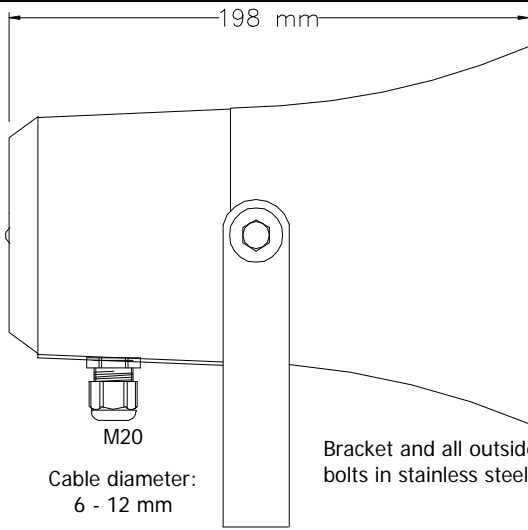
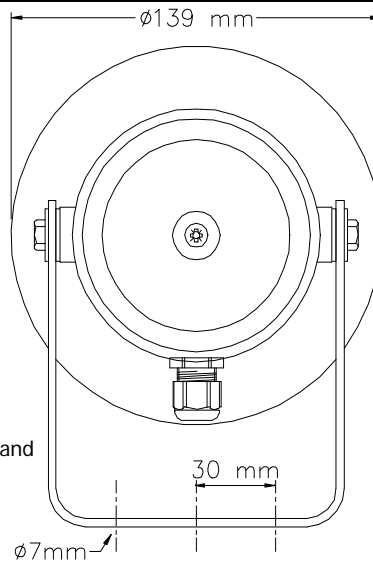




ISO 9001 CERTIFIED



Bracket and all outside nuts and bolts in stainless steel



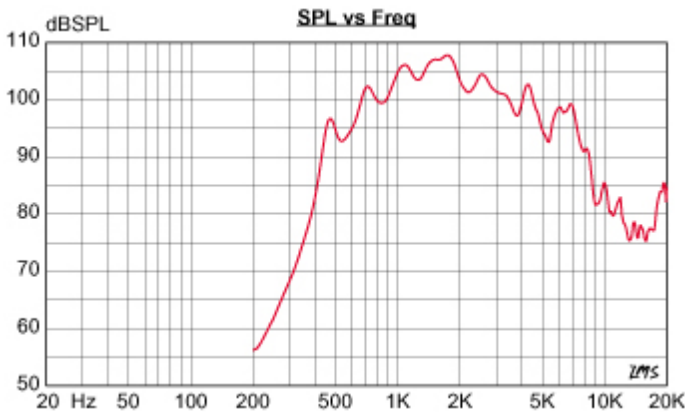
70/100 volt Combined Transformer:

Primary connections:  
 5 : 7 70 Volt line  
 5 : 8 100 Volt line

Secondary nominal tapings:

1 : 4 10,0 W  
 1 : 3 5,0 W  
 2 : 4 3,5 W  
 1 : 2 2,5 W  
 3 : 4 1,5 W  
 2 : 3 0,8 W

Sound pressure levels at different frequencies at 1W/1m sine wave.



Material / Color ..... ASA / RAL 7035  
 Mounting ..... Bracket  
 Termination ..... Internal screw connections  
 Weight ..... (2,9 lb) 1,3 kg  
 IP-rating (UL equivalent) ..... (12 & 4X) 56  
 Max / min amb temp ..... 90 °C / -50 °C  
 Rated / max. power ..... 10 W / 15 W  
 SPL 1W/1m ..... 106 dB  
 SPL rated power ..... 116 dB  
 Effective freq. range ..... 410 – 8000 Hz  
 Dispersion (-6dB) 1kHz / 4kHz ..... 150° / 45°  
 Directivity factor, Q (2kHz) ..... 7,4  
 Options ..... Impedances, colors, labels

### Installation, Operation and Maintenance Procedures

- When mounting the loudspeaker please ensure that it is re-assembled in the same manner in which it was received. Fasten the bracket with 1-3 screws and ensure to use all washers in the intended position to assure the IP rating.
- To change the position of the loudspeaker, please adjust the bracket (by loosening / tightening the screws) as required.
- For optimum performance, always use the correct voltage / power and operate within the frequency limits as stated.
- Do not open loudspeaker when energized.
- Fasten lid with a torque of 1 - 2 Nm.
- This loudspeaker is supplied with a 2 year warranty against defective materials and workmanship.

