

Series



Don't just sit and watch your TV – get up and interact with it! With a full range of movement, the PLAY40 allows you to interact with your TV when watching movies, gaming, exercising and more. Sit. Stand. Stretch. Play – all at the perfect angle. The ActionMount Series by OmniMount takes interactivity with your TV to the next level.

Product Benefits*

- Offers 21" (533mm) of smooth, continuous vertical and horizontal movement of the TV/display in all directions
- Patented Constant Force technology enables light-touch adjustments without knobs or levers
- Gravity pivot enables tilting capabilities without the need of knobs or levers
- Extends 24" (610mm) from wall when in use and retracts to 5.5" (140mm) when not in use
- Improves ergonomic viewing for TVs/displays mounted high on the wall
- Constructed from polished aluminum and black trim for maximum strength and aesthetics
- Tilt and pan for maximum viewing flexibility
- $\pm 5^\circ$ of post-installation leveling
- Cable management clips on the under side of the mount arm route and hide wires
- Includes complete hardware kit

Product Specifications*

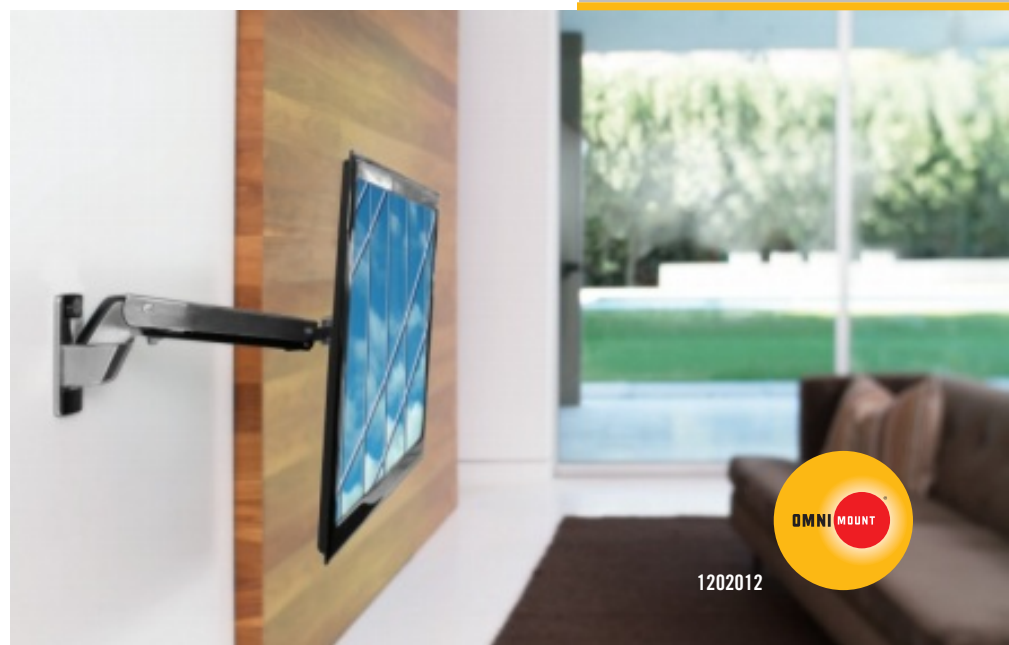
Fits most: 30–55" TVs/displays
Supports: 18–40 lbs (8.2–18.2 kg)
Tilts: $+10^\circ$ to -15°
Pan: 180°
Mounting profile: 5.5" (140mm)
Maximum extension: 24" (610mm)
Vertical/horizontal movement: 21" (533mm) in all directions
VESA compliance: 200wx100h to 600wx400h
Mounting: Single-stud or solid wall
Warranty: 5 years
Color: Polished Aluminum with black trim



The PLAY40 is equipped with Ergotron's patented Constant Force technology, providing fluid, light-touch adjustments for effortless arm movement.

*Subject to change

800.MOUNT.IT (800.668.6848)



PLAY20



PLAY20X



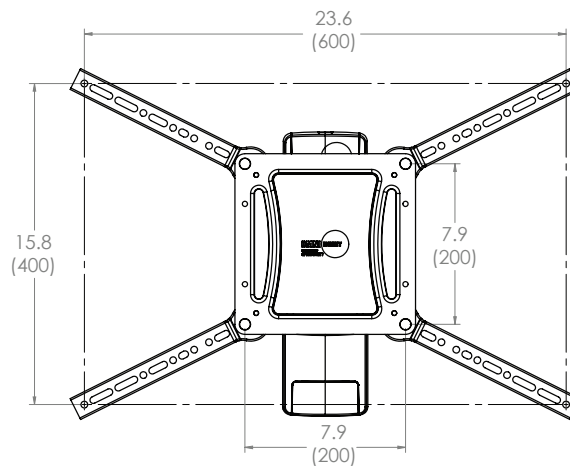
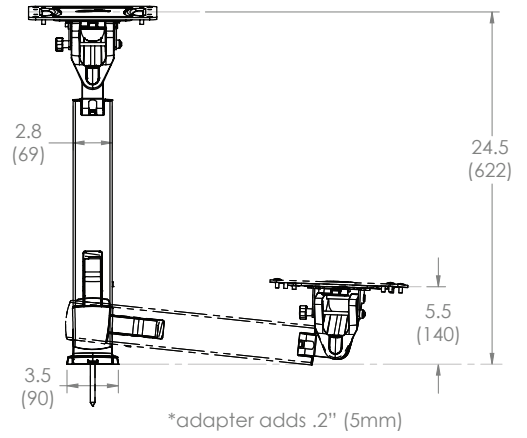
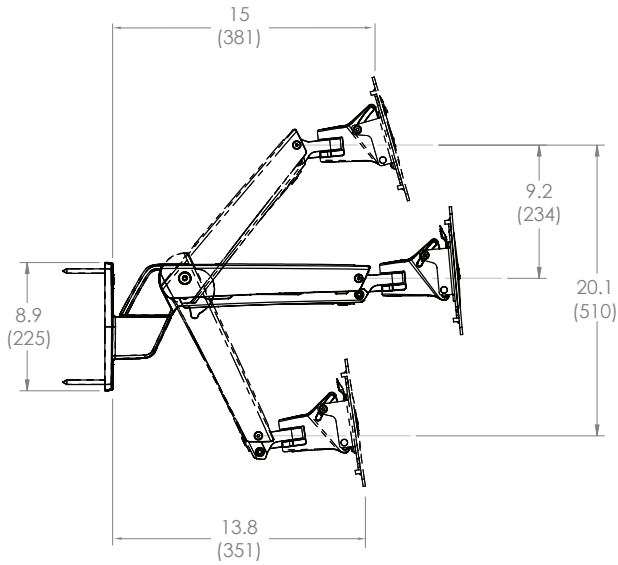
PLAY40



PLAY70



PLAY40 technical data sheet



inches (mm)

	Packaging UPC	MC UPC
Americas	698833020007	10698833020004
International	698833020007	10698833020004

	Dimensions WxDxH Inches (mm)	Wt lbs (kg)	Qty
Box	12.2 x 26 x 7.5 (311x660x191)	21.6 (9.8)	NA
MC	NA	NA	NA

Box Contents	Qty
Wall plate	1
Arm/Wall plate hardware	1
Wall plate cover	2
Rear arm cover	1
CFT arm	1

Box Contents	Qty
200x200 VESA monitor plate	1
Spider adapter	1
Instruction manual	1
Complete hardware kit	1

