

NOBA8A

User Manual



www.audac.eu

ADDITIONAL INFORMATION

This manual is put together with much care, and is as complete as could be on the publication date. However, updates on the specifications, functionality or software may have occurred since publication. To obtain the latest instruction manual or obtain additional product information, please visit the product page on www.audac.eu. For information about software version updates, please visit www.audac.eu/software.

Index

Introduction	5
Precautions	5
Safety requirements	6
Caution servicing	6
EC Declaration of Conformity	6
Waste of Electrical and Electronic Equipment (WEEE)	7
Caution	7
Chapter 1: Pin connections and connectors	9
Connection standards	9
Wire up the system	9
Chapter 2: Front & rear panel	10
Control panel overview	10
Control panel description	10
Connection panel overview	11
Connection panel description	11
RMT40 remote control overview	12
RMT40 remote control connection	12
Chapter 3: Connecting the NOBA8A	13
Chapter 4: Loading presets & firmware updates	14
chapter 5: Mounting the NOBA8A	15
Chapter 6: Additional information	17
Technical specifications	17
Notes	18

Introduction

8” Compact bass cabinet

NOBA8A is characterized by an innovative & unique design. With its curved shape, made of 4 mm thick aircraft graded aluminum and its extremely powerful 8” woofer of 200 Watts, the NOBA8A is able to deliver an unheard low frequency response for its small woofer size.

The perfect acoustic experience is guaranteed when the entire audio frequency spectrum is equally distributed. The slick look of the NOBA8A allows it to be placed against a wall, on the ceiling or even underneath furniture, yet due to the unique composition of its parts, NOBAA ensures a much better spreading of sound waves than other similar cabinets. NOBA8A’s integrated class–D amplifier provides an impressive clarity of 150 Watts for both of the top speaker outputs to ensure impeccable sound division.

It uses AUDAC’s WaveDynamics™ technology, which allows the user to easily set up the optimal acoustic configuration. The user can simply load its preferred audio settings through NOBA8A’s integrated USB input.

Precautions

READ FOLLOWING INSTRUCTIONS FOR YOUR OWN SAFETY

ALWAYS KEEP THESE INSTRUCTIONS. NEVER THROW THEM AWAY

ALWAYS HANDLE THIS UNIT WITH CARE

HEED ALL WARNINGS

FOLLOW ALL INSTRUCTIONS

NEVER EXPOSE THIS EQUIPMENT TO RAIN, MOISTURE, ANY DRIPPING OR SPLASHING LIQUID. AND NEVER PLACE AN OBJECT FILLED WITH LIQUID ON TOP OF THIS DEVICE

NO NAKED FLAME SOURCES, SUCH AS LIGHTED CANDLES, SHOULD BE PLACED ON THE APPARATUS

DO NOT PLACE THIS UNIT IN AN ENCLOSED ENVIRONMENT SUCH AS A BOOKSHELF OR CLOSET. ENSURE THERE IS ADEQUATE VENTILATION TO COOL THE UNIT. DO NOT BLOCK THE VENTILATION OPENINGS.

DO NOT STICK ANY OBJECTS THROUGH THE VENTILATION OPENINGS.

DO NOT INSTALL THIS UNIT NEAR ANY HEAT SOURCES SUCH AS RADIATORS OR OTHER APPARATUS THAT PRODUCE HEAT

DO NOT PLACE THIS UNIT IN ENVIRONMENTS WHICH CONTAIN HIGH LEVELS OF DUST, HEAT, MOISTURE OR VIBRATION

THIS UNIT IS DEVELOPED FOR INDOOR USE ONLY. DO NOT USE IT OUTDOORS

PLACE THE UNIT ON A STABLE BASE OR MOUNT IT IN A STABLE RACK

ONLY USE ATTACHMENTS & ACCESSORIES SPECIFIED BY THE MANUFACTURER

UNPLUG THIS APPARATUS DURING LIGHTNING STORMS OR WHEN UNUSED FOR LONG PERIODS OF TIME

ONLY CONNECT THIS UNIT TO A MAINS SOCKET OUTLET WITH PROTECTIVE EARTHING CONNECTION

THE MAINS PLUG OR APPLIANCE COUPLER IS USED AS THE DISCONNECT DEVICE, SO THE DISCONNECT DEVICE SHALL BE READILY OPERABLE

USE THE APPARATUS ONLY IN MODERATE CLIMATES



CAUTION – SERVICING

This product contains no user serviceable parts. Refer all servicing to qualified service personnel. Do not perform any servicing (unless you are qualified to)



EC DECLARATION OF CONFORMITY

This product conforms to all the essential requirements and further relevant specifications described in following directives: 2014/30/EU (EMC) and 2014/35/EU (LVD)



WASTE ELECTRICAL AND ELECTRONIC EQUIPMENT (WEEE)

The WEEE marking indicates that this product should not be disposed with regular household waste at the end of its life cycle. This regulation is created to prevent any possible harm to the environment or human health.

This product is developed and manufactured with high quality materials and components which can be recycled and/or reused. Please dispose this product at your local collection point or recycling centre for electrical and electronic waste. This will make sure that it will be recycled on an environmentally friendly manner, and will help to protect the environment in which we all live.

CAUTION

The symbols shown are internationally recognized symbols that warn about potential hazards of electrical products. The lightning flash with arrowpoint in an equilateral triangle means that the unit contains dangerous voltages. The exclamation point in an equilateral triangle indicates that it is necessary for the user to refer to the users manual.



These symbols warn that there are no user serviceable parts inside the unit. Do not open the unit. Do not attempt to service the unit yourself. Refer all servicing to qualified personnel. Opening the chassis for any reason will void the manufacturer’s warranty. Do not get the unit wet. If liquid is spilled on the unit, shut it off immediately and take it to a dealer for service. Disconnect the unit during storms to prevent damage.

Chapter 1

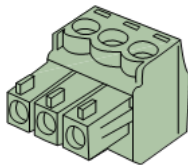
Pin connections and connectors

CONNECTION STANDARDS

The in- and output connections for AUDAC audio equipment are performed corresponding to international wiring standards for professional audio equipment.

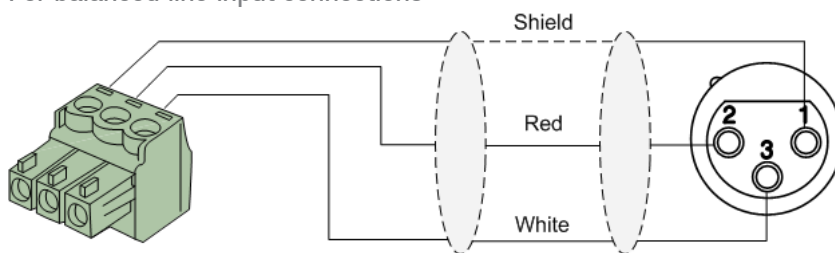
3-Pin Terminal Block:

For balanced signal input & link output connections.

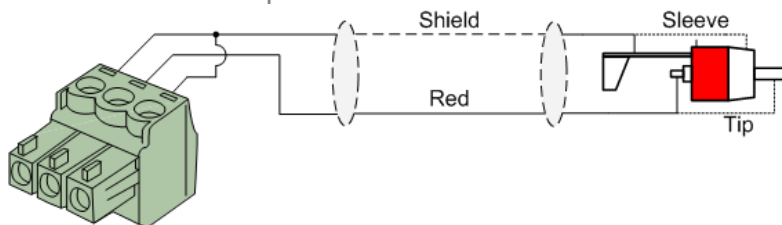


Left: Signal – (XLR Pin 3)
Center: Signal + (XLR Pin 2)
Right: Ground (XLR Pin 1)

For balanced line input connections



For unbalanced line input connections:



Wire up the system

The wiring of the system must be done according to the following rules, to guarantee a proper functioning of the system in all circumstances.

1. Speaker cable for amplified outputs:
Minimum 2 x 1.5 mm²
If distance > 15m: 2 x 2.5 mm²
2. Audio signal inputs inputs (& signal linkthrough outputs)
Must be connected with high-quality audio cable and high-quality connectors

Chapter 2

NOBA8A overview



The aluminum enclosure features a grill on both sides. One side includes the amplifier, while the bass port is located on the opposite side. To guarantee an optimal heat dissipation and ventilation for the amplifier and to allow air-circulation through the bass port, make sure that both sides remain uncovered when installed.

Control panel overview



Control panel description

Volume dial:

A volume dial located in the supporting structure of the bass cabinet (on the amplifier side) allows adjustment of the input gain, regulating the overall system volume.

Indicator LED:

An multi color indicator LED gives an overview of the current operation status of the amplifier:

- Orange illuminated: Amplifier in standby mode
- Green illuminated: Input signal detected and amplifier operational
- Orange blinking: Input signal clipping
- Red blinking: Output signal clipping

Standby mode:

A standby mode switches the NOBA8A to energy saving mode when no input signal is detected for a certain period. The standby time is default configured to an interval of 5 minutes and can be adjusted or disabled by software configuration / preset loading.

Connection panel overview



Connection panel description

Balanced stereo line input:

The signal input connections are balanced stereo line inputs implemented using two 3-pin terminal block connectors. The line level audio signal coming from the audio source or pre-amplifier shall be fed to these input connections.

USB (Update) connection:

The USB (Update) connection is used for loudspeaker preset loading, system firmware updates and/or for connection of the optional RF remote control (RMT40) receiver. For a detailed description about speaker preset loading and firmware updates, check chapter 4 of this instruction manual.

The provided LED indicates activity of the USB data transfer. Do not disconnect any USB devices when this LED is illuminated.

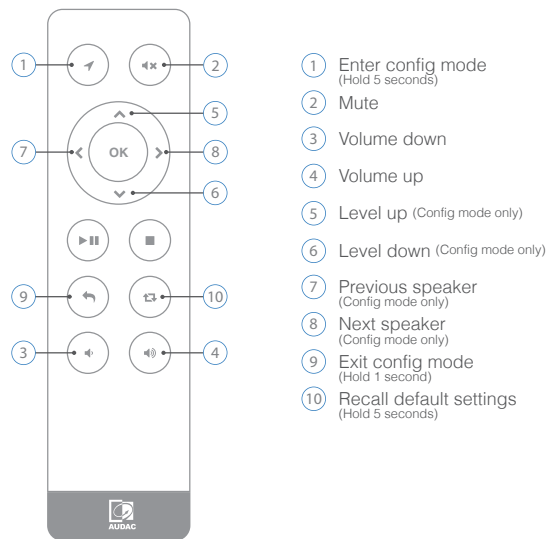
Loudspeaker output (satellite) connections:

The satellite loudspeaker outputs are connected using four (two for each channel) 2-pin terminal block connections. Both connections for each channel are identical, allowing easy parallel linking for multiple speakers. The minimum connected load to each channel (both output connections combined) shall be 4Ω.

AC Power inlet:

The mains power supply (100–240V AC – 50/60 Hz) has to be applied to this AC power inlet. The connection is made through an IEC C14 power connector.

RMT40 Remote control overview (optional)



RMT40 Remote control description

Mute (2):

Mutes (and unmutes) the overall system.

Volume down (3):

Decreases the overall volume for all channels simultaneously. The level is adjusted in steps of 3 dB when momentary pressed, while larger adjustments are made when pressing and holding.

Volume up (4):

Increases the overall volume for all channels simultaneously. The level is adjusted in steps of 3 dB when momentary pressed, while larger adjustments are made when pressing and holding.

Configuration mode:

Allows adjustment of the sound balance between all three amplifier channels (subwoofer, left+right satellite, left satellite and right satellite). To enter the configuration mode, press and hold the configuration button (1) for about 3 seconds. When configuration mode is entered, a low frequency audio signal is heard through the integrated subwoofer.

Toggeling between the amplifier channels is possible by pressing the previous speaker (7) or next speaker (8) buttons. A short tone is heard through the selected speaker.

Use the level up (5) and level down (6) buttons to adjust the level for the selected channel. In default configuration, all channel settings are set to maximum. The level is adjusted in steps of 3 dB when momentary pressed, while larger adjustments are made when pressing and holding.

To exit the configuration mode, hold the enter config (1) or exit config (9) buttons for about one second.

For factory defaults, hold the recall default settings (10) button for about 3 seconds. (only when configuration mode is enabled)

Chapter 3

Connecting the NOBA8A

NOTE

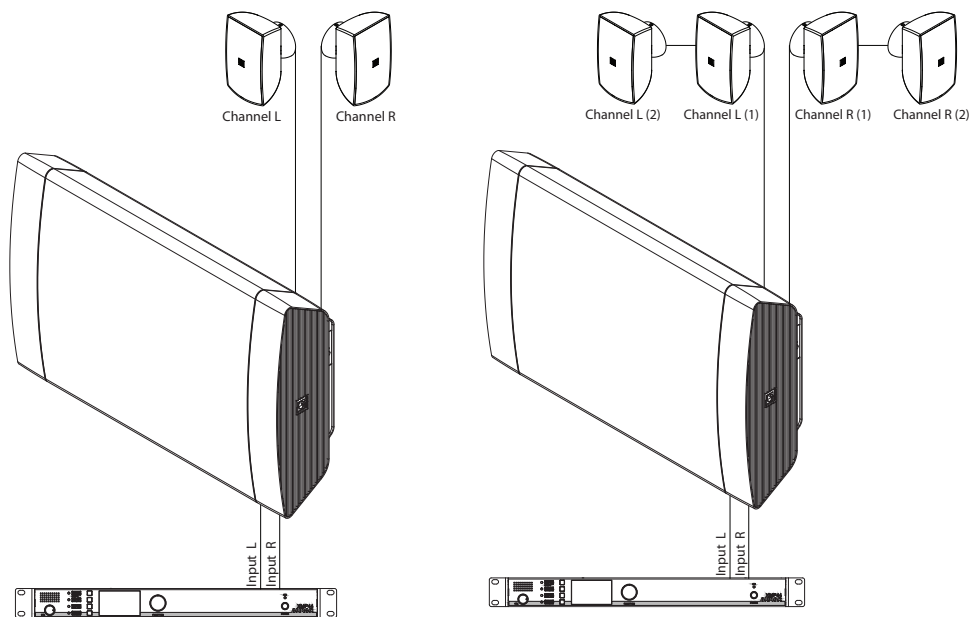
Make sure the mains power inlet is disconnected before any connections or wiring adjustments are made. Disregarding this rule can lead to permanent damage of the equipment.

2.1 mode (2-Way sub/top):

The NOBA8A is fixed configured in 3-Channel (2-way sub/top) mode. High-pass filters are applied to the left & right output channels allowing connection of high/mid frequency speakers, while a low pass filter is applied to the subwoofer channel driving the integrated speaker.

A default configuration is standard loaded, however specific speaker presets / configurations can be loaded to optimize the settings depending of the selected speaker specifications. For more information how specific presets have to be loaded, check chapter 4 of this instruction manual.

The following diagrams give an overview of specific setups with a NOBA8A and two of four high/mid frequency loudspeakers.



Typical NOBA8A configuration with audio source and two high/mid frequency speakers *Typical NOBA8A configuration with audio source and four high/mid frequency speakers*

Chapter 4

Loading presets & firmware updates

Loading WaveDynamics™ set solution configurations:

Complete set solution configuration files (*.SOL) containing parameters for optimal performance and protection for the system can be loaded into the NOBA8A.

The files can be downloaded from the set solution page on the audac website (www.audac.eu) and must be copied to an USB memory drive for insertion into the NOBA8A speaker. Make sure the files are stored inside an 'AUDAC' subdirectory and the file extension is '*.SOL'. (The file path should be '..\AUDAC\FILENAME.SOL'). It will search automatically for any available '*.SOL' files. To guarantee the correct configuration is loaded, make sure only one '*.SOL' file is available on the inserted memory drive.

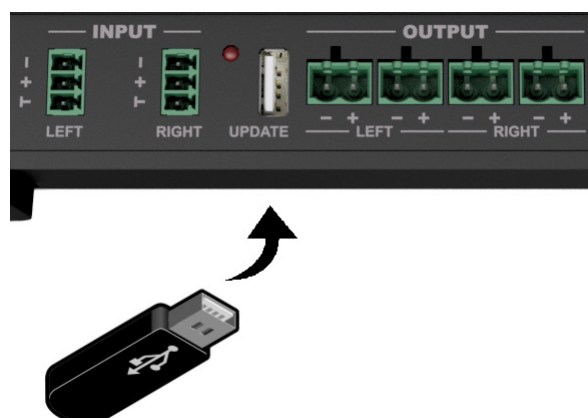
For loading the set solution configuration, simply insert the USB memory drive into the 'Update' USB slot on the NOBA8A connection panel. The configuration file will be automatically discovered and loaded when stored in the correct path. The provided LED will blink when the data transfer is active. Make sure the data transfer is complete (LED not blinking) before the USB drive is removed.

Loading firmware updates:

Firmware updates can be made to the NOBA8A by copying them to an USB memory drive and inserting them to the NOBA8A speaker. These updates are only required for servicing and/or when implemented new functionalities to the system. They are not required to be performed by the user.

The firmware update files can be downloaded through the Audac System Manager software tool, and must be copied to an USB memory drive for insertion into the NOBA8A speaker. Make sure the files are stored inside the root of the USB memory drive and the filename is 'NOBA8.IMG'. (The complete file path should be '..\NOBA8.IMG')

For loading the firmware update, simply insert the USB memory drive into the 'Update' USB slot on the NOBA8A connection panel. The update file will be automatically discovered and loaded when stored in the correct path. The provided LED will blink when the data transfer is active. Make sure the data transfer is complete (LED not blinking) before the USB drive is removed. Loading the firmware update can take several minutes before completed.



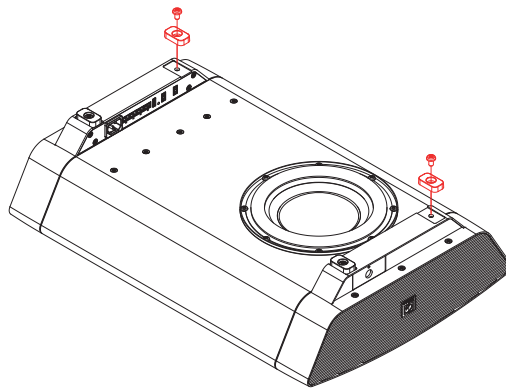
Chapter 5

Mounting the NOBA8A

The NOBA8A comes standard delivered with a mounting bracket for on-wall installation. The installation of this bracket shall be done according to a simple 5-step procedure as described below:

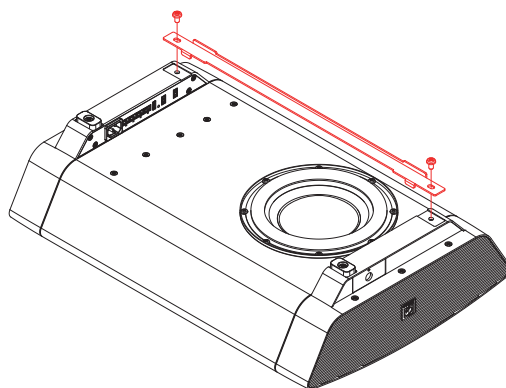
Step 1: Remove the rubber feet

The cabinet comes delivered with 4 pcs of rubber feet assembled supporting the cabinet for floorstanding use. When installing the cabinet to the wall, two pcs of these rubber feet must be removed for assembly of the supporting bar. Note that the cabinet can be mounted in two directions. Depending of the required direction (position of the connections, amplifier and bass port) both feet on the upper side needs to be removed. Keep the removed screws for the next step.



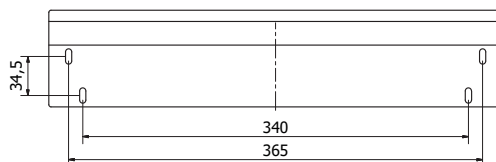
Step 2: Assembling the cabinet supporting bar

Once both rubber feet are removed, the supporting bar for hooking the cabinet to the wall plate needs to be assembled. Place the supporting bar on the position where both rubber feet were located and fix it with the screws removed in step 1. Mind the mounting direction when installing.



Step 3: Mounting the wall plate

Mount the wall plate to the installation location of the NOBA8A. The wall plate has to be fixed using four screws. The exact screw positioning is shown in the drawing below. The used fasteners should be chosen depending on the mounting surface (brick, concrete, wood, gypsum, ...). Make sure the mounting surface can structurally support the weight of the speaker.

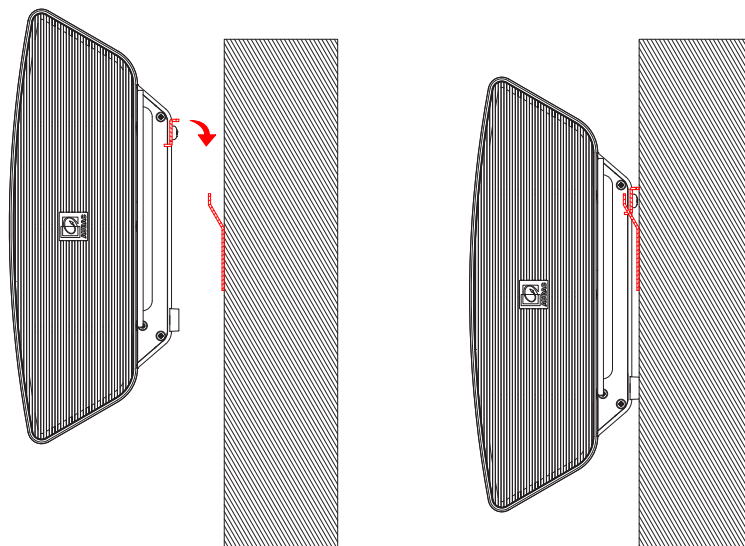


Step 4: Connect the wiring

Once the wall plate is mounted, the wiring shall be connected before hooking the cabinet to the wall plate. For more information how the connections should be made, check chapter 2 and chapter 3 of this instruction manual. When connecting, make sure all wiring is guided and fixed properly so the loose wiring won't touch any moving parts such as the speaker cone.

Step 5: Hook the cabinet to the wall plate:

The last step is hooking the cabinet to the wall plate. This is done by sliding the cabinet support bar over the wall plate followed by a downwards movement of the loudspeaker, as indicated in the drawing below.



Chapter 6

Additional information

Technical specifications

Max power subwoofer		200 Watt
RMS power subwoofer		100 Watt
Sensitivity subwoofer (1W / 1m)		83 dB
Sound pressure (Max W / 1m)		105 dB
Frequency response \pm 3 dB		90 Hz – 350 Hz
Frequency range –10 dB		45 Hz – 350 Hz
RMS power satellite	@ 4 Ω @ 8 Ω	2 x 150 Watt 2 x 75 Watt
Frequency response		20 Hz – 20 kHz (When no filter applied)
Signal to Noise ratio		> 85 dB
Total Harmonic Distortion + Noise		< 0.1%
Crosstalk		> 100 dB
Inputs	Type Connectors Impedance Sensitivity	Balanced line 3–pin terminal block (3.81 mm pitch) 22 k Ω 0 dB (1 V RMS)
Outputs	Type Connectors	Satellite loudspeaker output 2–pin terminal block (5.08 mm pitch)
Controls		Input gain (potentiometer) RMT40 remote control (optional)
Indicators		Standby, Signal, Clip
Cooling system		Convection cooled
Amplifier technology		Class–D
Power supply	Type Range	Switching mode 100~240 V AC 50/60 Hz
Power consumption	Standby Idle 1/8 Rated power 1/3 Rated power	0.7 Watt 22 Watt 114 Watt 259 Watt
Dimensions (W x H x D)		558 x 383 x 149 mm
Weight		9.75 Kg

Accessories included

Wall mount bracket

Optional accessories

RMT40 RF remote control – 2.4 GHz

MBK410C Ceiling mount bracket

