



LBB 4430/00 Call Station Basic



- ▶ **Redundant network connection**
- ▶ **Power 'ON' indication**
- ▶ **Status/fault indications**
- ▶ **Indication that the priority level of destinations is higher than that of the pending announcement**
- ▶ **Supervision of microphone capsule**
- ▶ **Stylish and modern design**

The call station basic can make manual or pre-recorded announcements to any pre-assigned zones. The call station basic has a microphone on a flexible stem, a push-to-talk button, a speaker, and a headset socket.

The LBB 4430/00 can be extended with up to 16 keypads (LBB 4432/00 or LBB 4434/00), each with eight programmable keys. Extension with a numeric keypad (PRS-CSNKP) is also possible.

Functions

The call station has a cardioid, supervised microphone on a gooseneck stem with good speech intelligibility. A limiter and a speech filter improve intelligibility and prevent clipping of the audio. It has a volume control for the monitoring speaker and the headset. When it plays a chime or a pre-recorded message, the call station activates its speaker. When a headset is connected, it replaces the microphone and speaker. The call station has its own DSP, and converts between analog and digital audio. The audio processing can include sensitivity adjustment, limiting, and parametric equalization.

Up to 16 call station keypads can connect to the station via a serial communication link. The station provides the power for the keypads. Up to 224 priorities can be assigned to the call station. All configuration can be done via the Praesideo network controller.

The call station is fully supervised and complies with IEC 60849. The call station supports fail-safe operation. Even if the Praesideo network controller fails, the call station is still able to put through emergency calls.

Controls and indicators

- Three status LEDs
- Configurable PTT-key
- Volume control for loudspeaker/headset

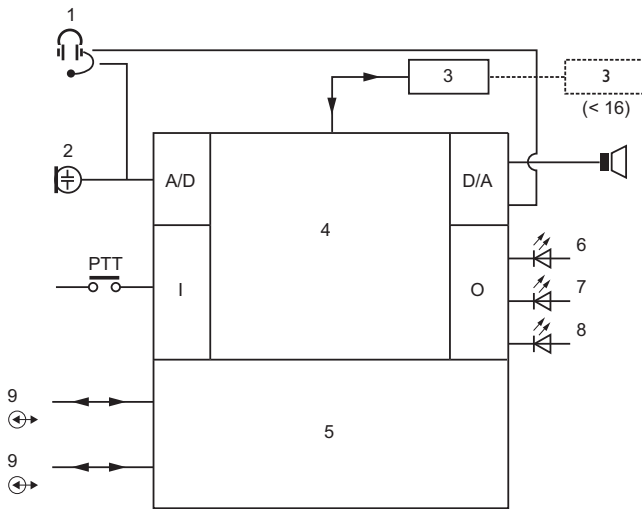
Interconnections

- Two system network connections
- Serial data and power supply interface for call station keypads
- 3.5 mm jack for headset

Certifications and Approvals

Region	Certification	
Europe	CE	Declaration of Conformity
	TUEV-SUED	TUV
	GL	GL
Safety	acc. to IEC 60065-98	
Immunity	acc. to EN 55103-2	
Emissions	acc. to EN 55103-1 / FCC-47 part 15B	
EVAC (TÜV certified)	acc. to IEC 60849 / BS 5839-8	

Installation/Configuration Notes



- 1 Headset
- 2 Microphone
- 3 Keypad(s)
- 4 Network processor and DSP
- 5 Network redundancy switching
- 6 Power/error
- 7 Call station status
- 8 Network status
- 9 Network connections

Parts Included

Quantity	Component
1	LBB 4430/00 Call Station Basic
1	Flat cable

Technical Specifications

Electrical

External power supply	18 to 56 VDC
Power consumption	4.4 W (DC) excluding keypads

Microphone

Nominal acoustic input level	75 to 90 dB SPL
S/N	>60 dB at 85 dB SPL
Frequency response	340 Hz to 14 kHz (-3 dB)

Loudspeaker

S/N	80 dB at max. output
Sound pressure level	85 dB (SPL) at 0.5 m and 1 kHz

Headset

Connector	3.5 mm jack
Recommended type	Hosiden HBH 0058

Mechanical

Dimensions (H x W x D)	90 x 160 x 200 mm
Weight	0.95 kg (2.1 lb)
Mounting	Tabletop
Color	Charcoal
Length of mic stem	380 mm

Environmental

Operating temperature	-5 °C to +45 °C (+23 °F to +113 °F)
Storage temperature	-20 °C to +70 °C (-4 °F to +158 °F)
Humidity	15% to 90%
Air pressure	600 to 1100 hPa

Ordering Information

LBB 4430/00 Call Station Basic **LBB4430/00**
 has a microphone on a flexible stem, a push-to-talk button, a speaker, and a headset socket.

Accessories

LBB 4434/00 Call Station Keypad Kit **LBB4434/00**
 used in combination with a call station kit or call station basic to make manual or pre-recorded announcements to any assigned zones, or to execute pre-defined actions.

LBB 4432/00 Call Station Keypad **LBB4432/00**
 has eight programmable buttons, each with a two-color status LED.

PRS-CSNKP Numeric Keypad **PRS-CSNKP**
 can be used for user access, zone and zone group selection. LCD for user feedback.

Americas:

Bosch Security Systems, Inc.
Communications Systems
12000 Portland Avenue, South
Burnsville, Minnesota 55337, USA
Phone: +1-800-392-3497
Fax: +1-800-955-6831
audiosupport@US.bosch.com
www.boschcommunications.us

Europe, Middle East, Africa:

Bosch Security Systems B.V.
P.O. Box 80002
5600 JB Eindhoven, The Netherlands
Phone: +31 40 2577 284
Fax: +31 40 2577 330
emea.securitysystems@bosch.com
www.boschsecurity.com

Asia-Pacific:

Robert Bosch (SEA) Pte Ltd
11 Bishan Street 21
Singapore 573943
Phone: +65 6571 2600
Fax: +65 6571 2698
apr.securitysystems@bosch.com
www.boschsecurity.com

Represented by