



DNH^{AS}

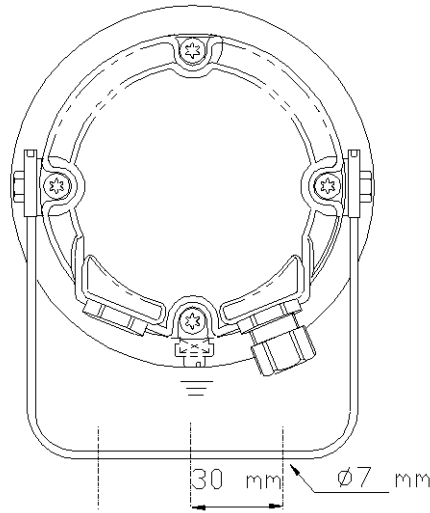
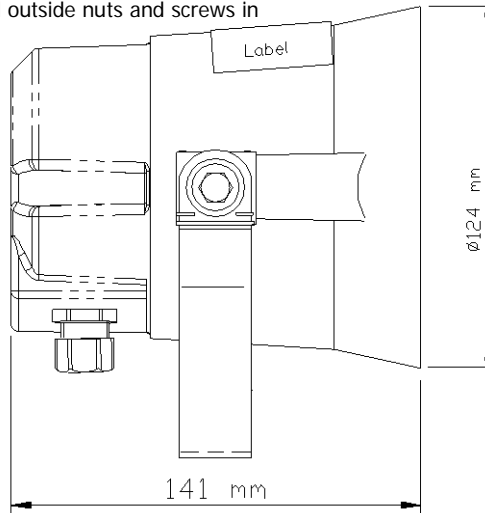
N-3770 Kragerø
NORWAY

HS-8 EExmN(T)

Morrison's Public Address
Phone 0407442822
Email: sales@morrison sav.com.au

ISO 9001 CERTIFIED

Bracket and all outside nuts and screws in stainless steel.



Transformer:
100 V line (70V, 50V)

Primary nominal tapings:

1 : 2 8,0 W
1 : 3 4,0 W
1 : 4 2,0 W

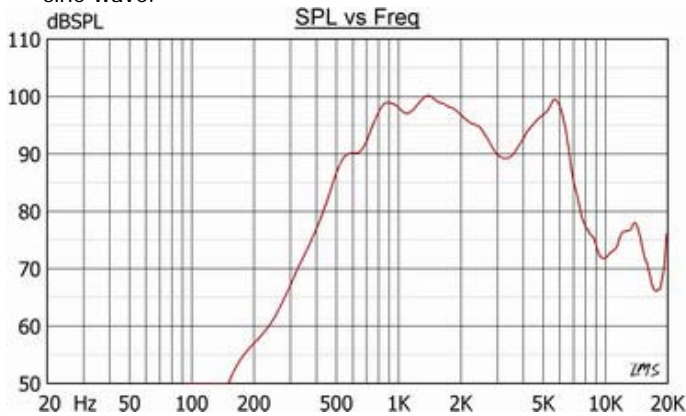
Delivered with 1 x M20
EExe ATEX approved
cable gland and 1 x M20
EExe ATEX approved
blind plug
Cable diameter
8 - 13 mm

Certified by / Certification code / Number: NEMKO / EEx dem IIB+H₂ T6 / 01 ATEX 297
Certified by / Certification code / Number: NEMKO / EEx dem IIC T6 / 01 ATEX 297



SPL at different frequencies at 1W/1 m
sine wave.

IIB IIC



Material / Color	Aluminum alloy SS4263 / RAL 7031	
Mounting	Bracket	
Termination	e-chamber, screw terminals	
Weight w/ transformer	2,0 kg	
IP-rating	67	
Max / min amb temp	50 °C / -50 °C	
Rated / max. power	8 W / 8 W	
SPL 1W/1m	100 dB	94 dB
SPL rated power	108 dB	102 dB
Effective freq range	550 – 7000 Hz	650-7000
Dispersion (-6dB) 1kHz / 4kHz	160° / 45°	105° / 35°
Options	Impedances, colors, labels	

Installation, Operation and Maintenance Procedures

- When mounting the loudspeaker please ensure that it is re-assembled in the same manner in which it was received. Fasten the bracket with 2 screws and ensure to use all washers in the intended position. (To isolate the main body from the bracket)
- To change the position of the loudspeaker, please adjust the bracket (by loosening / tightening the screws) as required.
- For optimum performance, always use the correct voltage / power and operate within the frequency limits as stated.
- Use only certified/specified cable glands and blanking plugs.
- Do not open loudspeaker when energized.
- The loudspeaker should be checked on a regular basis to avoid any build up of debris.
- The aluminum surface of the loudspeaker should be regularly treated with paint at the same interval as with other similar outdoor equipment.
- Fasten lid with a torque of 2 - 3 Nm to assure the IP rating.
- If the Ex-loudspeaker is to be earthed, it must be done correctly using the specially marked screws.
- This loudspeaker is supplied with a 2 year warranty against defective materials and workmanship.