



HPR122i

Powered Multipurpose Loudspeaker

The HPR122i offers performers and audio professionals the power, technology and legendary reliability of QSC amplification combined with the simplicity and convenience of a multipurpose powered loudspeaker system. Whether your application is vocal reinforcement, dance music, or full tilt rock and roll and whether your need is main PA, or stage monitor, suspended or pole mounted, the HPR122i is your solution. With 131 dB of maximum output the HPR122i outperforms molded plastic box systems without significant additional weight or cost.

The HPR122i is built around a high-power, reliable QSC power module using the same top quality components and design standards as QSC's best selling RMX series amplifiers. Thick aluminum heat sink extrusions with deep fins provide mechanical strength and plenty of surface area to keep the module running cool. While many powered speaker amplifier modules use low cost "chip amps", the HPR122i features discrete component designs that deliver the best possible performance even when pushed to the limit. The power module incorporates sophisticated signal processing functions carefully tailored to the loudspeaker system. Each amplifier channel includes its own limiting with the parameters individually optimized for the frequency band.

A 12" low-frequency woofer with 3" voice coil is powered by 400 watts of class H power. A neodymium magnet design provides ample motor strength for low end performance without adding unnecessary weight. The 1.4" diaphragm neodymium compression driver is powered by a 100 watt, Class AB+B amplifier and is loaded on a 75° conical horn. It's the same high-frequency driver you'll find on the HPR153F 3-way loudspeaker system.

The HPR122i is constructed of premium birch. The speaker components are protected by a heavy 16 gauge perforated steel grille with a distinctive and professional appearance. A grille mounted power LED may be disabled by means of a rear panel switch when desired.

Three thoughtfully placed, ergonomic handles assure that positioning and transporting the loudspeaker is easy and comfortable. A total of nine (9) threaded M10 inserts allow for several different suspension options and use with an optional yoke mount. The integral pole mount socket accommodates 35 mm speaker poles for use on a speaker stand or over a sub.

A compact, versatile, portable powered loudspeaker system with uncompromising performance, the HPR122i is the speaker you've been waiting for.



Features

- The only portable powered multipurpose speaker with legendary QSC amplifier power and reliability
- Power module based on best selling RMX Series amplifier technology
- Ideally suited for use as main PA or monitor
- High continuous power: 500 watts total amplifier power
- 75° conical horn provides predictable coverage regardless of cabinet orientation
- Rugged birch enclosure
- Tour-grade 16 gauge steel grille
- Integrated 35 mm pole socket
- Nine (9) M10 suspension points allow for multiple suspended applications



HPR122i

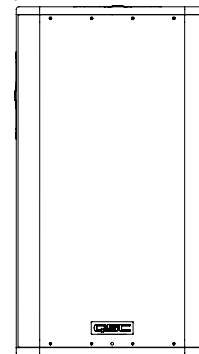
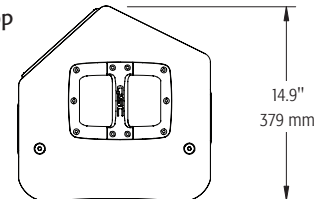
Specifications | Applications | Dimensions

Configuration	12" 2-way 12" neodymium transducer with 3" voice coil 1.4" diaphragm neodymium compression driver
Frequency Response (-3 dB) ¹	62 Hz – 18 kHz
Frequency Range (-10 dB) ¹	53 Hz – 22 kHz
Nominal Coverage (-6 dB)	75° conical
Maximum SPL (1 meter)	131 dB peak
Amplifiers	
Power Output	400 W LF Class H 100 W HF Class AB+B
Input Impedance	22k ohm balanced / 11k ohm unbalanced
Controls	Gain • Low-cut filter • Main/Monitor Front LED On/Off • Power • Circuit breaker
Indicators	Power • Signal • Limit
Cooling	Convection
Amplifier Protection	Thermal and Output Limiting Output Short Circuit Overtemperature Muting Driver DC Protection
Current consumption at 120 VAC (1/8 power EIA noise)	1.5 A
Enclosure	Painted birch plywood
Finish	Black textured paint
Grille	Powder coated 16 gauge steel
Suspension/Attachment Points	Nine (9) M10 rigging locations
Connectors	Balanced female XLR line level input Balanced male XLR full range line level out
Dimensions (HWD)	26.9" x 14.7" x 14.9" (683 mm x 373 mm x 379 mm)
Weight (Net)	60 lb / 27.2 kg
Available Accessories <i>See descriptions below</i>	HPR COVER 122 • HPR POLE 31 HPR YOKE 122 • HPR M10 KIT • HPR SUS KIT 122

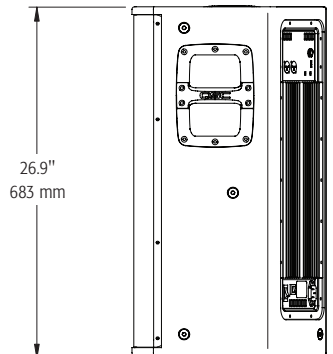
¹) Measured in half-space



Top



Front



Side

HPR COVER 122 - Soft cover made with weather resistant, heavy-duty Nylon/Cordura® material. Oversize pocket to hold cables.

HPR POLE 31 - This 35 mm diameter speaker pole is 31 inches long and is designed for pole mounting the HPR122i on top of the HPR151i or HPR181i subwoofers. The HPR122i should not be mounted on a speaker pole longer than 31 inches when used with the HPR subwoofers.

HPR YOKE 122 - This steel yoke bracket is designed to mount the HPR122i vertically from a variety of structures while allowing tilt rotation. It is compatible with several different attachment methods and can be fitted with a third party speaker pole receptacle. It is not recommended to surface mount the HPR122i on a wall.

HPR M10 KIT - This kit features load-rated, forged shoulder, steel eyebolts (3) and is designed for vertical suspension of the HPR122i, HPR152i or HPR153i.

HPR SUS KIT 122 - This kit features load-rated, forged shoulder, steel eyebolts (3) and a solid aluminum pullback bar. It is required for horizontal suspension of the HPR122i.

Specifications subject to change without notice.

QSC and the QSC logo are registered trademarks of QSC Audio Products, LLC in the U.S. Patent and Trademark office and other countries. Cordura is a registered trademark for durable fabrics. All other trademarks are the property of their respective owners. Patents may apply or be pending.

1675 MacArthur Boulevard • Costa Mesa, CA 92626 • Ph: 800/854-4079 or 714/957-7100 • Fax: 714/754-6174

HPR122i Spec Sheet 06/19/08

QSC
qscaudio.com