



# DNH<sup>AS</sup>

**N-3770 Kragerø  
NORWAY**  
 Phone: ..... (47) 35 98 56 00  
 Fax: ..... (47) 35 98 56 10  
 E-mail: ..... dnh@dnh.no  
 Web-site: ..... [www.dnh.no](http://www.dnh.no)

**DNH WW Ltd.  
England**  
 Phone:.....(44) 1908 275 000  
 Fax:.....(44) 1908 275 100  
 E-mail:.....dnh@dnh.co.uk

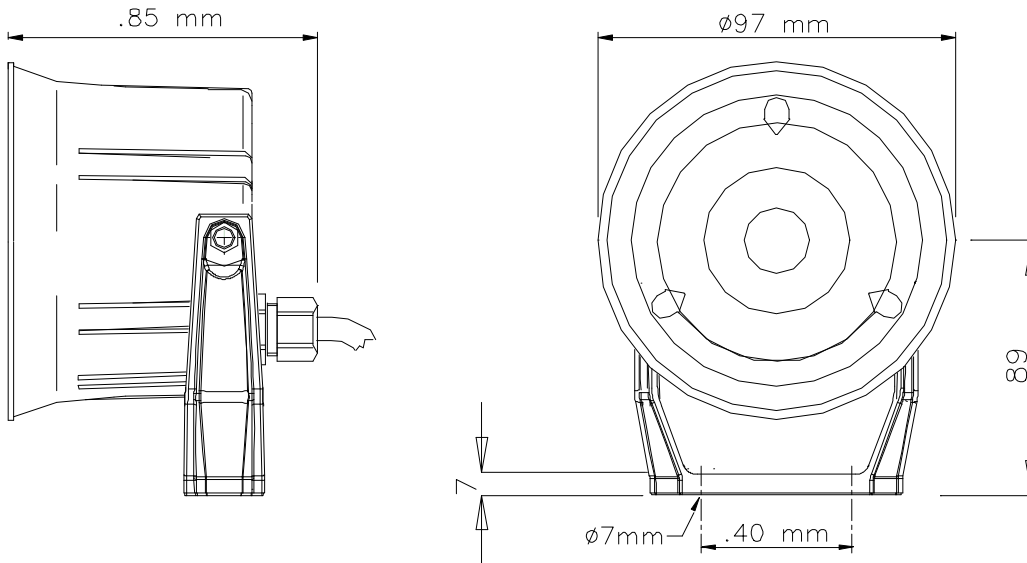
**DNH  
France**  
 Phone:.....(33) 1 5380 0276  
 Fax:.....(33) 1 4588 1594  
 E-mail:.....etienne@dnh.no

**DNH GmbH  
Germany**  
 Phone:.....(49) 040 6569 30-0  
 Fax:.....(49) 040 6569 30-30  
 E-mail:.....dnh@dnh.de

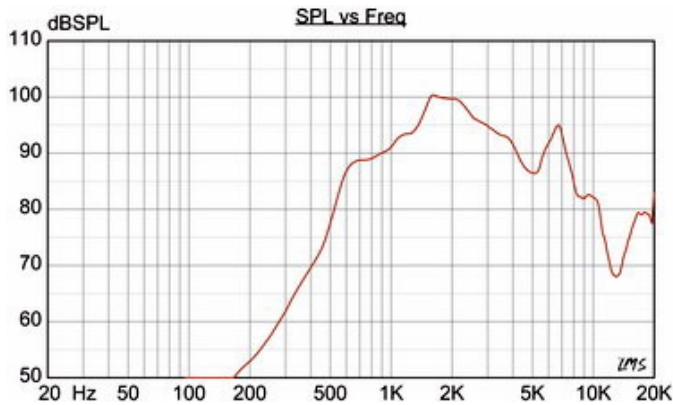
**DNH  
Speakers Inc.  
USA**  
 Phone:.....(1) 484 494 5790  
 Fax:.....(1) 484 494 5793  
 E-mail:.....dnh@dnhspeakers.com

## HP-6

ISO 9001 CERTIFIED



Sound pressure levels at different frequencies at 1W/1m sine wave



Material / Color ..... Polyamide UL94 V0 / RAL 7035  
 Mounting ..... Bracket  
 Termination ..... Cable, 0,5m  
 Weight ..... 0,5 kg  
 IP-rating ..... 67  
 Max / min amb temp ..... 90 °C / -40 °C  
 Rated / max. power ..... 6 W / 15 W  
 SPL 1W/1m ..... 101 dB  
 SPL rated power ..... 108 dB  
 Effective freq. range ..... 500 – 7500 Hz  
 Dispersion (-6dB) 1kHz / 4kHz ..... 170° / 70°  
 Options ..... Impedances, colors, labels

### Installation, Operation and Maintenance Procedures

- Fasten bracket with 1-3 screws, to wall or ceiling.
- To change the position of the loudspeaker, please adjust the bracket (by loosening/tightening the screws) as required.
- HP-6 is delivered with cable and the cable should be terminated in a suitable junction box.
- For optimum performance, always use the correct voltage / power and operate within the frequency limits as stated.
- This loudspeaker is supplied with a 2 year warranty against defective materials and workmanship.

