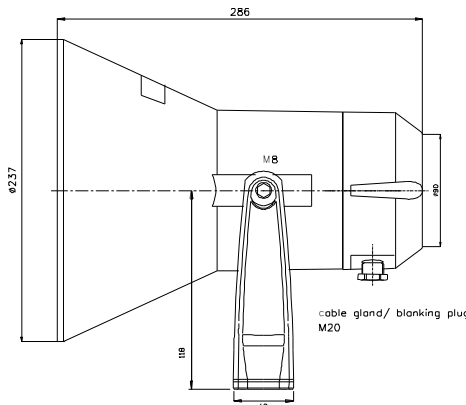
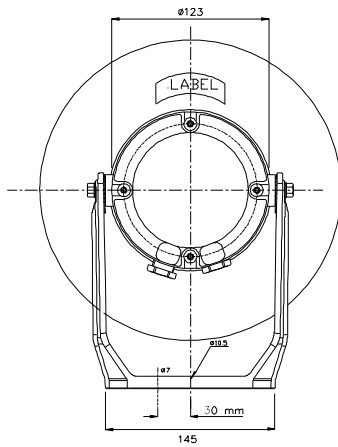




ISO 9001 CERTIFIED



All outside nuts and bolts in stainless steel

50/70/100 volt
 Combined Transformer:

Primary connections:
 6 : 7 50 Volt line
 6 : 8 70 Volt line
 6 : 9 100 Volt line

Secondary nominal
 tappings:

1 : 4 20,0 W
 1 : 3 10,0 W
 2 : 4 6,0 W
 1 : 2 5,0 W
 3 : 4 2,0 W
 2 : 3 1,5 W

M20 EExe ATEX
 approved cable
 gland and M20
 EExe ATEX
 approved blanking
 plug.

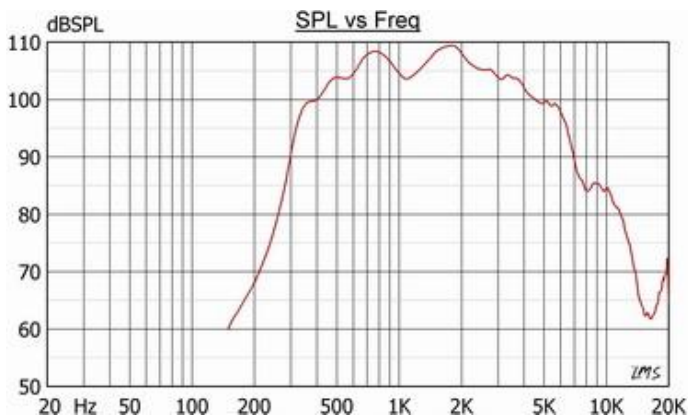
6 = White, 8= Green,
 9 = Red

Certified by / Certification code / Number: NEMKO / Ex nA II T3 -50 °C ≤ Ta ≤ +50°

Ex II 3 GD T94°C Zone 22

Sound pressure levels at different frequencies at 1W/1m sine wave

Certified according to EN 60079-15



Material / Color Anti-static PA / Black
 Mounting Bracket
 Termination Internal screw terminal
 Weight w/ transformer 2,3 kg
 IP-rating 67
 Max / min amb temp 50 °C / -50 °C
 Rated / max power 20 W / 20 W
 SPL 1W/1m 110 dB
 SPL rated power 120 dB
 Effective freq. range 310 – 8000 Hz
 Dispersion (-6dB) 1kHz / 4kHz 115° / 30°
 Directivity factor, Q (1 kHz) 4.0
 Options Impedance, color, label

Installation, Operation and Maintenance Procedures

- When mounting the loudspeaker please ensure that it is re-assembled in the same manner in which it was received. Fasten bracket to wall or ceiling with 1-3 screws.
- To change the position of the loudspeaker, please adjust the bracket (by loosening / tightening the screws) as required.
- For optimum performance, always use the correct voltage / power and operate within the frequency limits as stated.
- HP-20EExIIN(T) is designed for Zone 2 environment.
- Max/min cable diameter 13mm / 8mm.
- Do not open loudspeaker when energized.
- Fasten lid with a torque of 2 - 3 Nm.
- This loudspeaker is supplied with a 2 year warranty against defective workmanship.

