

Professional CD Player DN-C635



- **Shock Proof Memory (approx. 10 sec.)**

- **Instant Start**

When the PLAY button is pressed, audio starts instantly.

- **Auto Cue**

After a track is selected, it is automatically cued to the point where audio starts. Cueing takes place at the point where audio starts rather than where the track starts. The level at which sound is first detected can be set between -36 to -48 dB (3 steps).

- **Play mode & Finish mode**

1) Play mode

- Continuous: Play a whole disc
- Single: Play a track

2) Finish mode (Stop, Next, Recue)

* This function is available when Single or Continuous playback is selected.

- Stop: Stop after finishing to play a track
- Next: Standby at the beginning of next track after finishing to play a track
- Recue: After finishing to play a track, standby at the point where you started playback.

- **CD-R/RW Playback compatibility**

- **MP3 Playback**

- Folder/Title search
- $\pm 12\%$ Playback Speed Controllable on MP3
- Folder Repeat Playback

- **CD TEXT**

- **Rotally Track Select knob (Easy track selection)**

You can select a track by 10 tracks when you turn the select knob holding down it.

- **XLR (3-pin) active balanced stereo output**

- **Playback Speed Control**

- The long stroke, sliding fader adjusts the play speed of CDs or MP3 by $\pm 12.0\%$, 0.1% step. This Pitch Control can be turned off for normal playback by pressing the PITCH button.
- Apart from Pitch Control on the front panel, playback speed can also be adjusted using a preset function which allows the speed to be increased by up to $\pm 3.0\%$ in increments of 0.2%.
- Pitch Lock function: When pressing the PITCH button again while Pitch control mode is on and the pitch display is lighting, you cannot change playback speed even if you move the sliding fader. When this preset function is engaged, Pitch Control on the front panel is disabled.

- **Program Play (Max. 99 tracks)**

- Three different programs can be stored in nonvolatile memory.
- The unit incorporates a function that boots the unit up automatically in the program mode when a programmed disc is inserted.

- **End Monitor**

When this button is depressed in Standby mode, the end of the selected track is reviewed. The review duration is presettable between 5 and 35 seconds.

* While in Continuous mode, the unit plays the final portion of the final track on the disc.

- **End Of Message (EOM)**

At the end of a track, the FL display flashes, providing a visual warning to the operator that the track will end shortly.

The point at which the EOM warning begins can be preset within a range of 0 to 60 sec., 7 steps.

- **Power-On Playback**

Only powering on the unit plays back

- 1) the entire disc from the first track of the disc.
- 2) the program sequence from the beginning.

- **Next-Track reservation**

Turning the track select knob during playback reserves the next track to be played back. After the current track is played back, the unit continues to play back the reserved track.

- **Search Accuracy (1 frame = 1/75 sec.) (CD only)**

- **Serial (D-sub 9-pin, AMX/CRESTRON compatible)**

- **Parallel (D-sub 25-pin)**

When connected to an external unit, DN-C635 allows users to control play, pause and other simple functions easily.

- **Fader Start**

A parallel remote (D-Sub 25 pin) connector allows fader start operation from a mixing console. You can select Fader Start Mode as follows:

- Start Only - Player starts when fader switch is turned on.
- Start, Pause - Player starts when fader switch is turned on.
- Player pauses when fader switch is turned off.

- **Sleep function**

This function stops the automatically player if you do not perform within set-up time.

• Function Preset

3 different function presets can be stored into a non-volatile memory via buttons operated on the front panel. (“*” indicates the default setting.)

- Preset Type: 1*/2/3
- Finish Mode: Stop/Next*/Recue
- Power On Mode: Stand By*/Play/Stop
- Auto Cue Level: Off/-36/-42/-48* dB
- Sleep Mode: Off/1/2/5/10/15/30*
- Program 1: Off*/On
- Program 2: Off*/On
- Program 3: Off*/On
- End Monitor: Off/5/10*/15/20/25/30/35 sec.
- E.O.M.: Off/0/5/10*/15/20/30/60 sec.
- Next Stdby: Off*/On
- Next Track Reserve: Off*/On
- Playback Speed: Normal*/-3.0 ~+3.0, 0.2% step/0 Fix
- Delay Start: Off*/100/200/300 msec.
- Panel Lock: Off*/On
- Play Lock: Off*/On
- Eject Lock: Off*/On
- Time Mode: Elapsed/Remaining*
- Frame Display: On*/Off
- Text Display: Off*/On
- Parallel Inhibit: Enable*/Inhibit
- Standby Tally Inhibit: Enable*/Inhibit
- Tally Selection: Index2*/Index3
- Fader Start Mode: Pause*/Play
- Serial Remote: Off/RS232C*/RS422A
- Play Mode: Single*/Continuous
- Cascade: OFF*/ON
- IR Code: DENON*/RC5
- IR Remote: OFF*/ON
- Output: Stereo*/Mono
- Play List: OFF*/ON
- Preset Clr: Initialized

• Expanded Connection In/Out

1. Cascade Function (Figure 1)

The ports (CASCADE IN/OUT) of multiple DN-C635 units can be linked by cables to enable continuous relay playback among the units.

2. Synchronized Recording (Figure 2)

The port (EXT. SYNC OUT) of DN-C635 unit can be linked to other Denon recorders (DN-780R etc.) by cables to enable simultaneous recording. (Up to 20 units can be connected for continuous recording of the source.)

• 8-times oversampling digital filter

• Display of Playback Locations

A bar graph display indicates playback points on the track being played. Elapsed time and Remaining time displays are switched using the TIME button.

• Mono Playback

When “MONO” is on in the preset, Tracks recorded in stereo are outputted in a mix of L and R channels.

• Next Track Standby

Pressing the STDBY/CUE button during standby stops playback and makes the unit enters a standby at the top of the next track. This comes in handy in combination with the program function when tracks (number) to be played back are determined.

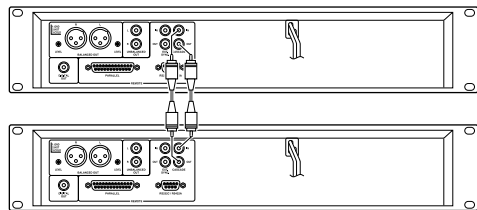
• Others

- Digital Output (Coaxial)
- Headphone jack with volume control
- FL display
- 20-tracks music calender for CD playback

SPECIFICATIONS

Type	Single-mechanism Compact Disc Player
Audio Channels	2 Channel Stereo
Quantization	16-bit Linear
Sampling Frequency	44.1 kHz at Normal Pitch
Frequency Response	5 to 20,000 Hz
Total Harmonic Distortion	0.004% (at “CD Pitch = 0Fix” mode of the preset function)
Signal to Noise Ratio	104 dB (at “CD Pitch = 0Fix” mode of the preset function)
Dynamic Range	100 dB (at “CD Pitch = 0Fix” mode of the preset function)
Channel Separation	90 dB (at “CD Pitch = 0Fix” mode of the preset function)
Oversampling	8-times
Line Output (Unbalanced)	RCA jack
Output Level	2.0 V at 0 dB Disc
Load Impedance	10 kohms or more
Line Output (Balanced)	3-Pin XLR (Active Balanced)
Output Level	+18 dBu at 0 dB Disc (Active Balanced)
Output Adjust Range	+22 dBu to -20 dBu
Load Impedance	600 ohms
Digital Output (RCA Jack)	SPDIF or IEC-958 Type II
Headphone Output	Stereo
Output Level	7 mW
Load Impedance	33 ohms
Variable Speed Control	±12% max.
Audio Start-Up Time	0.01 second or less
Frame Search Accuracy	1/75 second (CD-DA)
Remote	9P D-Sub (Serial port) Remote Control Sensor 25P D-Sub (Parallel)
General	
Power Source	230V AC±10%, 50Hz
Power Consumption	15 W
Installation	19-inch rack mountable (2U)
Dimensions (excluding height of keys, connectors)	482 (W) x 88 (H) x 252 (D) mm
Weight	4.7 kg

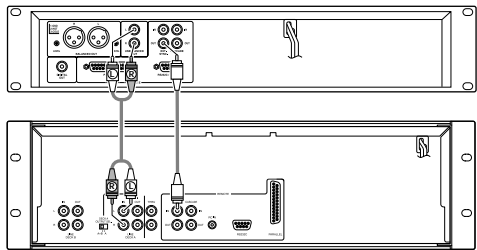
Figure 1



Unit 1 DN-C635

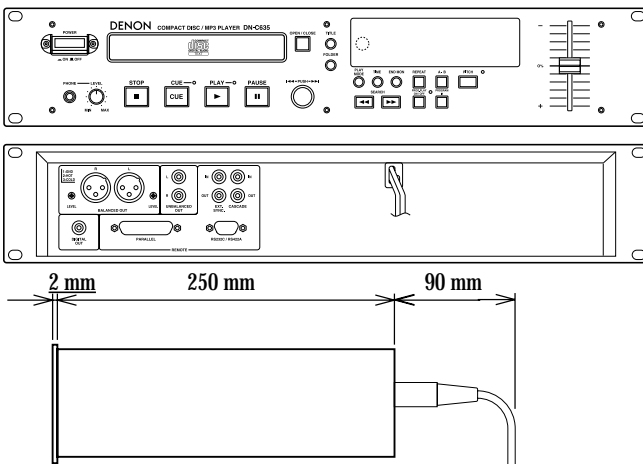
Unit 2 DN-C635

Figure 2



DN-C635

DN-780R



For improvement purposes, specifications and design are subject to change without notice.

DENON

DENON, LTD.

3-16-11 YUSHIMA, BUNKYO-KU, TOKYO 113-0034, JAPAN