

Broadcast
House of Worship
Courtroom
Conference
Sound / AV Companies
Live Sound



- Proprietary signal encryption for sensitive information
- Up to 100 channels can be operated simultaneously
- 155 MHz tuning range
- Quick setup mode, spectrum analyzer and rehearsal functions for easy setup
- Rugged all-metal construction
- Low-cut filter, 3-band Equalizer, dbx® Compressor and dbx® Limiter included
- Infrared link of all frequencies and setup data to the transmitter
- D 5 or C 5 microphone element
- 8 hours battery life and 7-segment battery status information

DMS 700

Digital Microphone System

AKG's revolutionary **DMS 700** is designed to deliver the very **best audio quality**, channel quantity and quick and easy operation. It is the first professional digital wireless system that meets worldwide transmission regulations.

Two frequency versions, each with **155 MHz frequency range** of transmitter and receiver give the user the necessary flexibility even in a crowded RF environment. With this ultra wide tuning range you can operate with up to **100 channels** simultaneously.

The **encryption** function offers the necessary **security for sensitive audio** transmissions.

The digital audio transmission finally eliminates distortions and significant noise levels at high audio frequencies. It also protects you from bad audio performance due to low RF link quality.

Ideal for broadcast applications, conferences, courtrooms, houses of worship, stage and music performances.



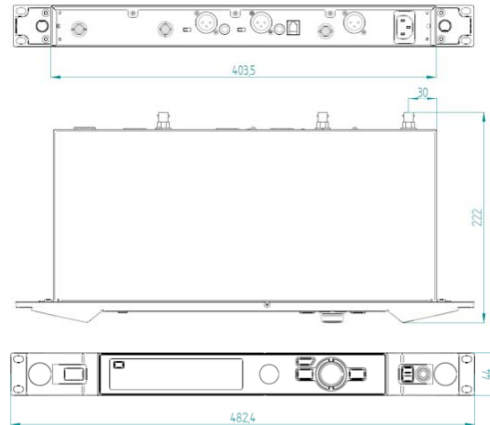
AKG SOUNDS BETTER



Broadcast
House of Worship
Courtroom
Conference
Sound / AV Companies
Live Sound



- 155 MHz tuning range
- Proprietary signal encryption for sensitive information
- 19" rugged all-metal construction
- Digital true-diversity receiver
- Up to 100 channels can be operated simultaneously
- Quick setup mode, spectrum analyzer and rehearsal functions for easy setup
- Low-cut filter, 3-band Equalizer, dbx® Compressor and dbx® Limiter included
- Infrared link of all frequency and setup data to the transmitter
- Transmitter batteries status monitoring



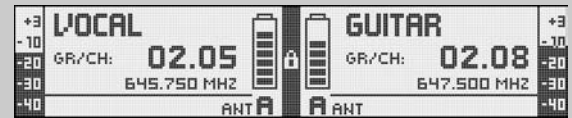
DSR 700

DSR 700 Receiver Specifications

Carrier frequency range	Band 1: 548.1 to 697.9 MHz, Band 2: 710.1 to 864.9 MHz
Switching bandwidth	≤ 155 MHz (country-dependent)
Sensitivity	10 dBμV / -97 dBm
Diversity system	Digital true diversity
Modulation / Bandwidth	Digital / < 200 kHz
Audio bandwidth	35 – 20 000 Hz (± 3 dB)
T.H.D.	≤ 0.02 %
SNR (A-weighted)	XLR typ. 115 dB(A), AES3 typ. 120 dB(A)
Audio outputs	2 x XLR sockets balanced 2 x TS ¼" / 6.3 mm jack sockets unbalanced 1 x AES3 XLR socket (48 kHz) with Wordclock IN (BNC)
Audio sampling	32 Bit / 44.1 kHz
Audio output level	XLR balanced: +12 dBu (max.)
Low cut	0 – 300 Hz, variable
Equalizer	3 band (low gain, mid gain, mid frequency, high gain)
Compressor	dbx® (gain, threshold, ratio, attack, release)
Limiter	dbx® (threshold)
Power supply	90 – 240 VAC, 50-60 Hz, 0.4A
Dimensions	Standard 1U rack, 480 mm (18.9 in.) × 43 mm (1.7 in.) × 200 mm (7.87 in.)
Net / Shipping weight	2.3 kg (81 oz.)
Standard accessories	2 UHF antennas, 1 Power cord US, 1 Power cord EU

Examples of graphic LCD Display:

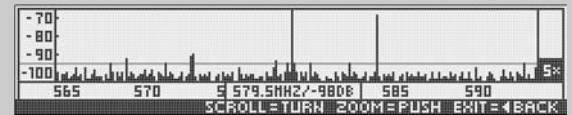
MAIN View



INFO View



Environment Scan – Spectrum Analyzer



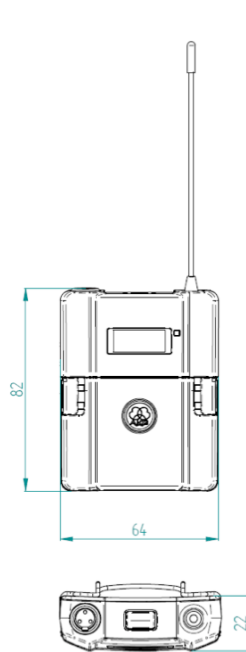
Item number: DSR 700 3155200..

Architects' and Engineers' Specifications

The digital wireless receiver shall operate across a 150 MHz UHF frequency range, will be tuneable in 25 KHz steps and shall allow selection of up to 6144 operating frequencies in order to avoid RF interference. Preconfigured frequencies shall be selected automatically, ensuring that multiple systems in simultaneous use do not interfere with one another. The receiver shall be controlled by a jog wheel and shall provide a graphical backlit display showing an individual name, group, channel, frequency, audio level and transmitter battery status. A programmable warning LED (red/green) will indicate the overall system status. An Infrared link to program all frequency and setup data to the transmitter shall be provided. The receiver shall use digital modulation technology to provide optimal sound quality, and will operate on the digital true diversity principle to improve reception. The switching circuit shall be inaudible. The receiver shall provide encryption, low cut filter, 3 band equalizer, compressor and limiter function. An environment scan function shall be provided with graphic display. Total harmonic distortion at 1 kHz for rated deviation shall be no greater than 0.02%. Audio output shall include a digital AES3, a balanced XLR connector as well as an unbalanced 6.3 mm / 1/4-inch jack connectors. The output from the 3-pin XLR-type connector shall be adjustable in 2 steps (-30, 0 dB). The receiver shall include an RF meter, AF meter and a volume control. A data port for connecting a pc-controlled network shall be provided. The digital wireless receiver shall be the AKG Acoustics Model DSR 700 or equivalent.

Broadcast
House of Worship
Courtroom
Conference
Sound / AV Companies
Live Sound

- Premium audio quality
- 155 MHz tuning range
- Proprietary signal encryption for sensitive information
- Infrared link of all frequency and setup data to the transmitter
- Rugged metal construction
- 50mW RF-output power
- 8 hours battery life
- 7-segment battery status information



DPT 700

DPT 700 Bodypack Transmitter Specifications

Carrier frequency range	Band 1: 548.1 to 697.9 MHz, Band 2: 710.1 to 864.9 MHz
Switching bandwidth	≤ 155 MHz (country-dependent)
RF output power	50 mW max. (ERP)
Modulation / Bandwidth	Digital / < 200 kHz
Audio input	TB3M / 3-pol. mini-XLR socket (max. 2.5Vrms)
Audio bandwidth	35 – 20 000 Hz (± 3 dB)
T.H.D.	≤ 0.02 %
SNR (A-weighted)	> 120 dB(A)
Encryption	YES
Battery life	≥ 8 hours Std. LR6 AA alkaline batteries ≥ 8 hours Std. AA rechargeable batteries
Dimensions	83.5 mm (3.3 in.) × 64.1 mm (2.5 in.) x 22 mm (0.86 in.)
Net / Shipping weight	82 g (2.9 oz.) without batteries
Standard accessories	2 AA size LR6 batteries, belt clip

Item number: DPT 700 3156Z00..

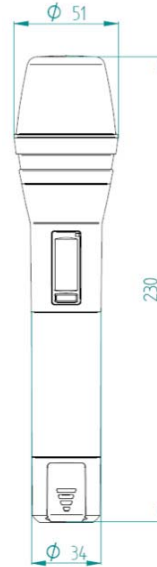


Architects' and Engineers' Specifications

The digital bodypack wireless transmitter shall operate across a 150 MHz UHF frequency range, tuneable in 25 KHz steps and shall allow selection of up to 6144 operating frequencies in order to avoid RF interference. The transmitter shall allow the frequency and name setting to be programmed via infrared, and a silent mode shall permit the transmitter to be used legally in R&TTE countries. The transmitter shall transmit battery capacity and muting information to the receiver, and the transmitter power shall not exceed 50 milliwatts. The transmitter shall indicate input overload via an LED indicator and a menu driven graphic LCD display shall provide battery lifetime displayed in 7 segments as well as the individual name, transmitting frequency, output power and locked/unlocked status information. The transmitter shall provide a lockable mute switch and a 2.5 mm jack shall allow an external mute switch to be connected. Charging contacts shall allow the easy charging of a rechargeable battery inside the transmitter. The audio bandwidth of the transmitter shall be 35 Hz to 20 kHz; S/N 120 dB(A); THD at 1 kHz < 0.02%. The bodypack transmitter shall accommodate both microphone and line level inputs. The transmitter shall operate off two AA size dry battery or AA size NiMH rechargeable battery for >8 hours. The bodypack transmitter shall measure 83.5 x 64 x 22 mm and have a weigh of 82 g. The digital bodypack wireless transmitter shall be the AKG Acoustics Model DPT 700 or equivalent.

Broadcast
House of Worship
Courtroom
Conference
Sound / AV Companies
Live Sound

- Premium audio quality
- 155 MHz tuning range
- Proprietary signal encryption for sensitive information
- Infrared link of all frequency and setup data to the transmitter
- Rugged all-metal construction
- 50mW RF-output power
- D 5 or C 5 microphone element
- 8 hours battery life
- 7-segment battery status information



DHT 700

DHT 700 Handheld Transmitter Specifications

Carrier frequency range	Band 1: 548.1 to 697.9 MHz, Band 2: 710.1 to 864.9 MHz
Switching bandwidth	≤ 155 MHz (country-dependent)
RF output power	50 mW max. (ERP)
Modulation / Bandwidth	Digital / < 200 kHz
Microphone capsules	D 5 – dynamic (super cardioid) C 5 – condenser (cardioid)
Max. SPL	≤ 140 dB SPL
Audio bandwidth	35 – 20 000 Hz (± 3 dB)
T.H.D.	≤ 0.02 %
SNR (A-weighted)	> 120 dB(A)
Encryption	YES
Battery life	≥ 8 hours Std. LR6 AA alkaline batteries ≥ 8 hours Std. AA rechargeable batteries
Dimensions	231 mm (9.1 in.) length, 52 mm (2 in.) dia.
Net / Shipping weight	336 g (11.8 oz.)
Standard accessories	2 x AA size LR6 batteries, stand adapter, windscreen

Item number:	DHT 700 D 5	3157Z001..
	DHT 700 C 5	3157Z003..

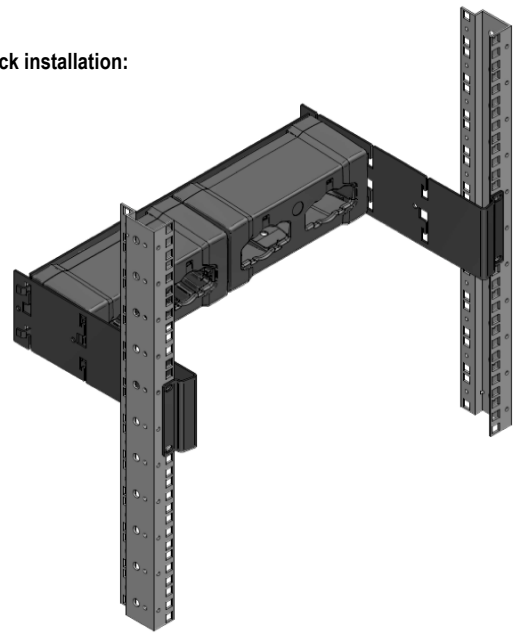
Architects' and Engineers' Specifications

The digital handheld wireless transmitter shall operate across a 150 MHz UHF frequency range, tunable in 25 KHz steps and shall allow selection of up to 6144 operating frequencies in order to avoid RF interference. The transmitter shall allow the frequency and name setting to be programmed via infrared, and a silent mode shall permit the transmitter to be used legally in R&TTE countries. The transmitter shall transmit battery capacity and muting information to the receiver and use an integrated helical transmitting antenna. The transmitter power shall not exceed 50 milliwatts. The transmitter shall indicate input overload via an LED indicator and a menu driven graphic LCD display shall provide battery lifetime displayed in 7 segments as well as the individual name, transmitting frequency, output power and locked/unlocked status information. The transmitter shall provide a lockable mute switch, and charging contacts shall allow the easy charging of a rechargeable battery inside the transmitter. The audio bandwidth of the transmitter shall be 35 Hz to 20 kHz; S/N 120 dB(A); THD at 1 kHz <0.02%. The transmitter shall operate off two AA size dry battery or AA size NiMH rechargeable battery for >8 hours. A means of color coding the handheld transmitter shall be included. The handheld transmitter shall measure 231 mm long x 52 mm maximum diameter and have a weigh of 240 g. A stand adapter shall be included as a standard accessory. The digital handheld wireless transmitter shall be the AKG Acoustics Model DHT 700 or equivalent.

Broadcast
House of Worship
Courtroom
Conference
Sound / AV Companies
Live Sound

- 2-hour quick charging.
- Two slots that fit both DHT 700 and DPT 700.
- LED status information
- Optional 19-inch rack mount unit

Rack installation:



CU 700

CU 700 Charging Unit Specifications

Matching devices	DHT 700, DPT 700
Rechargeable batteries	AA size, > 2100 mAh NiMH rechargeable batteries
Slot number	2
Rack mount kit	YES (3159Z0001)
Dimensions	7.75(W)x3.3(H)x3.45(D)inch / 197(W)x83(H)x87.5(D)mm
Net / Shipping weight	21.9oz / 620g
Standard accessories	1 x 12 V / 1.4A DC Power supply

Item number: CU 700 3158Z00..

AKG's CU 700 is a **fast charger** that rapidly charges the rechargeable batteries inside the transmitter without damaging the cells' elements. The CU 700 charger determines the optimum charge current and has a cooling fan to help keep the temperature of the cells under control. Charging is terminated when both batteries are fully charged

The CU 700 charger uses the **pulse technology** in which a pulse is fed to the battery. This DC pulse has a strictly controlled rise time, pulse width, pulse repetition rate (frequency) and amplitude. With pulse charging, high instantaneous voltages can be applied without overheating the battery.

Architects' and Engineers' Specifications

The charger shall be housed in a rugged plastic case with two multifunctional charging slots for charging DMS 700 series wireless transmitters. Each charging slot shall accommodate a handheld or bodypack transmitter and the charger shall be capable of charging any combination of transmitters (e.g., one DHT 700 and one DPT 700 simultaneously). The batteries shall remain inside the transmitter(s) during charging. The charger shall detect any dry (non-rechargeable) battery inside a transmitter and automatically stop the charging cycle if a dry battery is inserted. A status LED shall be placed in front of each charging slot. These tri-color (red/amber/green) LED's shall indicate the charger's current operating status: amber - battery is being tested; red - battery is being charged; green - battery is fully charged and charging cycle finished; flashing red - error. The voltage and temperature shall be monitored during the charging cycle and a signal given at the end of a charging cycle to indicate that full capacity has been reached. All required safety parameters shall be monitored and the charging cycle stopped if one or more safety parameters fall below or exceed the acceptable range. Operating voltage shall be 12 VDC, 1.5 A max. The charger shall accept NiMH or NiCd rechargeable batteries with a minimum capacity of 1500 mAh. Typical charging time 2 hours (depending on battery type and capacity). The charging unit shall operate in vertical and horizontal position to use it on a table or in a 19" rack. Two charging units shall be put together and mount into a 19" rack. The charger shall measure 197 x 83 x 87.5 mm (LxHxD), weigh approx. 620 g, and be black. The charging unit shall be the AKG Acoustics Model DHT 700 or equivalent.



PS 4000 W Power splitter – Antenna distributor to feed up to 5 receiver with the RF signal of a pair of antennas. To feed more than 5 receivers, the PS 4000 W provides a link output to cascade up to 3 PS 4000 W.



ZAPD-21 Passive splitter – 2-into-1 antenna combiner for indoor and outdoor use. Can be used either to split signals or combine them as needed.



SRA 2 B/W Directional antenna – Active antenna with integrated high performance booster required for use with long cable runs.

SRA 2 W Directional antenna – Passive antenna for use with short cable runs (<10 m)



AB 4000 Antenna Booster – High performance antenna booster for inserting into long antenna cables. One AB 4000 can compensate for approx. 17 dB of cable attenuation. Up to three boosters can be used in series for extremely long cable runs.



RA 4000 B/W Omni-directional antenna – Active antenna with integrated high performance booster required for use with long cable runs.

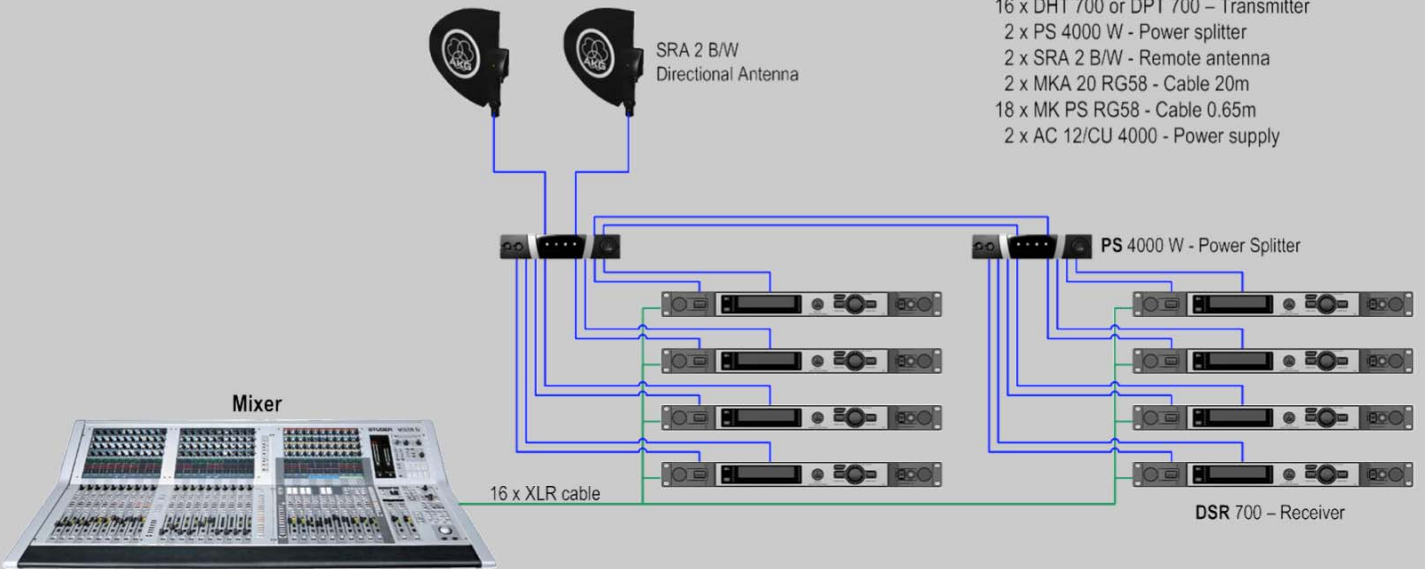
RA 4000 W Omni-directional antenna – Passive antenna for use with short cable runs (<10 m)



ASU 4000 Antenna Supply Unit – Remote power supply for small systems where no PS 4000 W is in use to provide the necessary power for the active antennas.

Antenna System

16 Channel DMS 700 System



www.akg.com

AKG Acoustics GmbH

Lemböckgasse 21–25, 1230 Vienna /AUSTRIA, phone: + 43 1 86654 0

e-mail: sales@akg.com

AKG Acoustics, U.S.

8400 Balboa Boulevard, Northridge, CA 91329, U.S.A., phone: + 1 818 920 3212

e-mail: akgusa@harman.com

For other products and distributors worldwide visit www.akg.com

Specifications subject to change without notice.

H A Harman International Company

