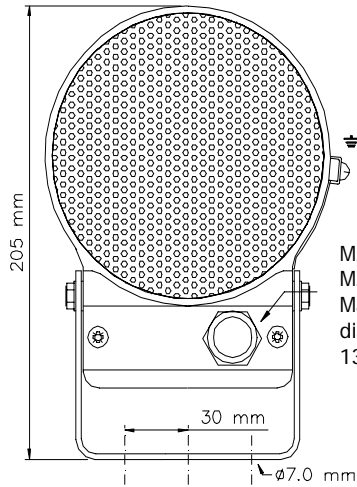


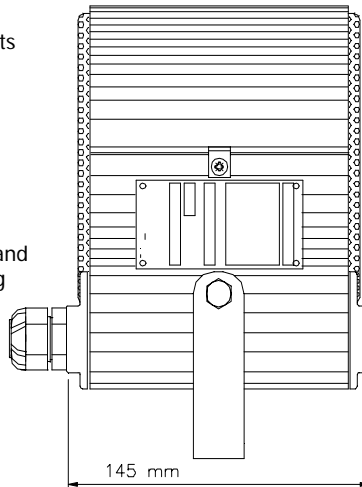


ISO 9001 CERTIFIED



All outside nuts and screws in stainless steel

M20 cable gland and M20 blanking plug  
Max / min. cable diameter:  
13 mm / 8 mm



Transformer:  
100 V line (optional 70V, 50V)

Primary nominal tapings:

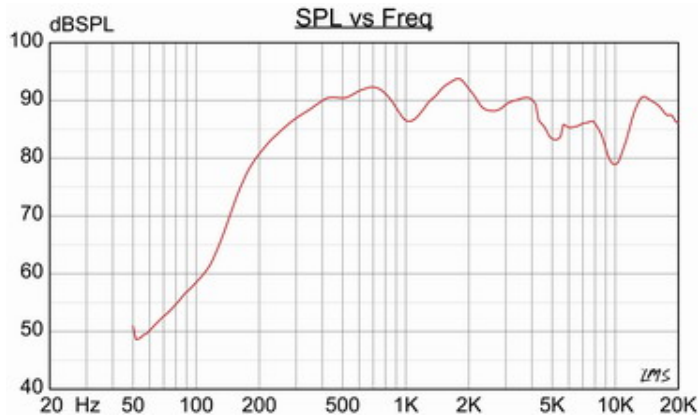
1 : 2	6,0 W
2 : 3	3,0 W
3 : 4	1,5 W
1 : 3	1,0 W
2 : 4	0,5 W
1 : 4	0,3 W

1 = Red, 2 = Yellow  
3 = Green, 4 = Blue

Certified by / Certification code / Number: NEMKO / EEx de IIB+H2 T6 / Nemko 02 ATEX 063



Sound pressure levels at different frequencies at 1W/1m sine wave



Material / Color	Aluminum / anodized
Mounting	Bracket
Termination	e-chamber, screw terminals
Weight w/ transformer	4,0 kg
IP-rating (e-chamber)	54
Max / min amb temp	40°C / -20°C
Rated / max power	6 W / 6 W
SPL 1W/1m	90 dB
SPL rated power	97 dB
Effective freq range	160 – 20000 Hz
Dispersion (-6dB) 1kHz / 4kHz	180° / 90°
Directivity factor, Q	2,1
Options	Impedances, colors, labels

### Installation, Operation and Maintenance Procedures

- When mounting the loudspeaker please ensure that it is re-assembled in the same manner in which it was received. Fasten bracket to wall or ceiling with 1-3 screws.
- For optimum performance, always use the correct voltage / power and operate within the frequency limits as stated.
- Use only certified/specified cable glands and blanking plugs.
- Enter the e-chamber by loosening the screws on the lid.
- Do not open loudspeaker when energized.
- Fasten lid screws with a torque of 2 - 3 Nm.
- Ex-loudspeakers must be earthed correctly using the specially marked screws.
- This loudspeaker is supplied with a 2 year warranty against defective materials and workmanship.

