



DNH

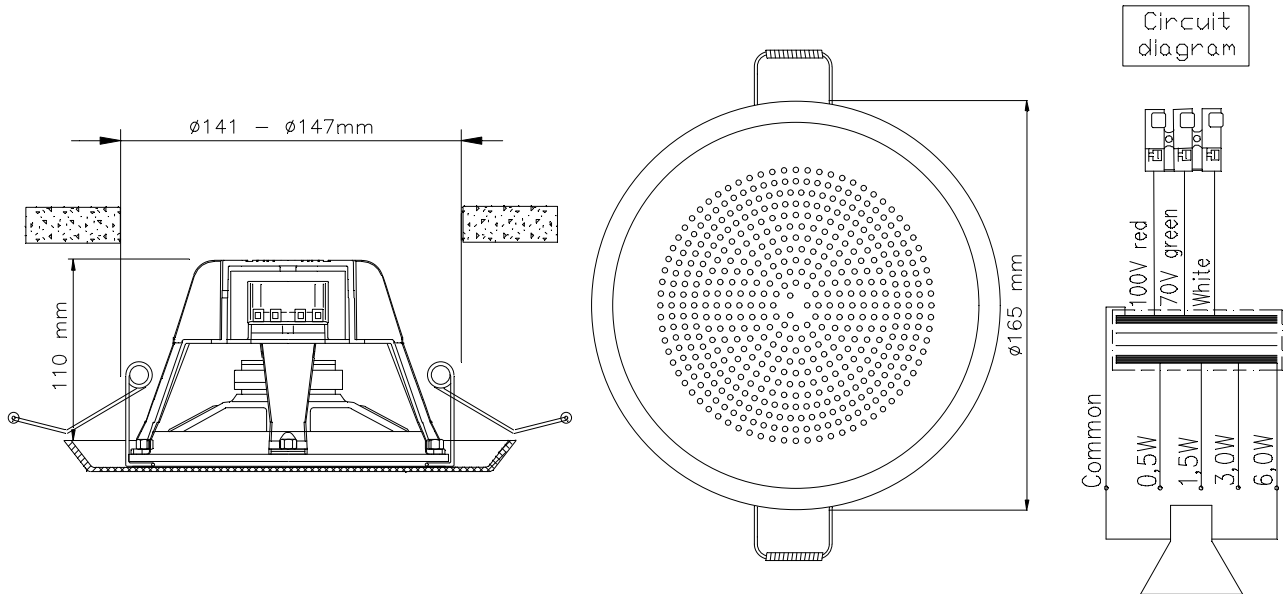
BK-560CR(T)



Morrison's

PUBLIC ADDRESS

ISO 9001 CERTIFIED



Sound pressure levels at 1W/1m

SPL vs Freq



Specifications

Material / Color	Aluminum / RAL9010
Mounting	Springs
Termination	Spring clamp
Weight w/transformer	0,9 kg
IP-rating	NA
Max. / min. amb. temp	90°C / -20°C
Rated / max. power	6 W / 10 W
SPL 1W/1m	88 dB
SPL rated power	95 dB
Effective freq. range	70 – 12000 Hz
Dispersion (-6dB) 1kHz / 4kHz	150° / 70°
Options	Impedances, colors, labels

Installation, Operation and Maintenance Procedures

- Install loudspeaker grill by bending back two springs and insert in to the hole.
- BK-560CR(T) is designed for clean room applications.
- Connect cable to terminal 70V (white – green) or 100V (white – red).
- For optimum performance, always use the correct voltage / power and operate within the frequency limits as stated.
- Do not open loudspeaker when energized.
- This loudspeaker is supplied with a two years warranty against defective workmanship.

DNH reserves the right to alter specifications without notice

