

MIX WIZARD

MULTI-PURPOSE COMPACT CONSOLES

Now in its 3rd generation, the legendary **MixWizard** range builds on its market leading status by adding a new mic preamp design and advanced grounding scheme, which both further enhance sonic quality. Other improvements include individual phantom power switches, channel signal indicators, lamp socket and backup supply capability. Internal configuration options for channel aux sends and direct output are now on pluggable jumpers for user convenience, and the mixer is presented in a stylish new package.

Of course, the range retains its traditionally strong blend of professional features, including an all-metal chassis, individual circuit boards, nipped rotary controls, smooth 100mm faders, LED metering, as well as 6 aux sends, 4 band EQ, digital FX and expansion capability, which it inherits from its big brothers in the large format ranges. The sonic purity of the **MixWizard** has been further enhanced to retain its market leading credentials – a true professional in the world of compact mixing.

KILLER FEATURES

High Performance Preamp

The mic preamp is probably the most important stage in the console's signal path and its performance is often the measure of the quality of the console.

MixWizard³ mixers have a newly-designed preamp, developed from our top-end range of **ML** and **GL** consoles. The preamp provides very low noise and distortion, a wide yet smooth gain law, and extended headroom for dealing with the most demanding sources.

4 band EQ

Provides clean, responsive and accurate equalisation control normally only found in larger format desks. 4 extended range overlapping bands - 2 with centre frequency sweeps - let you compensate for microphone and auditorium frequency responses, add sparkle and presence to voices and instruments, control sibilance or add colour.

All 4 bands give up to 15dB boost or cut and have centre detents.

Maximum Flexibility

As with our large format large sound consoles, the **WZ³14:4:2** can work as a Front of House or Monitor mixer. In FOH mode, the 4 groups with inserts, long throw faders and XLR outputs can be routed and panned to the LR mix for flexible sub-mixing.

The main LR mix has inserts, separate left and right faders, and XLR outputs, to feed the main speaker system. EQ and signal processing can easily be inserted on group and main outputs.

In Monitor mode, the aux mixes are routed to the group and LR faders, inserts and XLR output. The AFL and PFL system is switched to the Mono output to provide an engineer's 'wedge' output. In essence, it's a perfect 6-mix monitor console with additional outputs available from the group busses via the aux master controls.

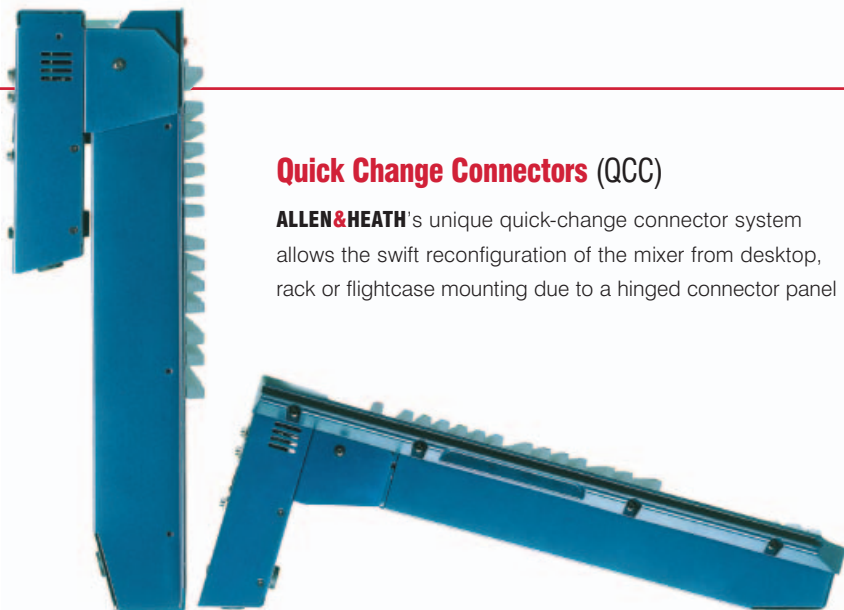
To allow maximum flexibility, it is possible to operate the console in dual mode where some auxes can be used as monitor mixes and some sub-grouping can be used along with the main LR outputs. This allows the engineer to run FOH sound and some Monitor mixes from the same console.

Additionally, and unusually on a small format mixer, 2 matrix outputs are also provided - the flexibility and benefits of a matrix cannot be underestimated in today's console applications!

For **WZ³16:2** and **WZ³12:2**, extra flexibility is provided by our unique third master fader, which can be switched to provide either an L+R mono feed for centre or fill speaker, a sub bass feed mixed from the channel aux 6 sends, and with master fader right where it is needed - next to the LR masters.

6 auxiliary sends

Each of the 6 aux mixes has its own master level rotary control and impedance balanced TRS outputs. The console has a clever monitoring system to listen to aux outputs in mono or in stereo pairs. Auxes 1-2 are routed pre fade for monitors; auxes 3-4 are switchable pre or post fade for monitors, effects or additional recording or zone feeds; and auxes 5-6 are routed post fader for effects and aux-fed sub. The aux settings can be changed by replugging internal jumpers.



Quick Change Connectors (QCC)

ALLEN & HEATH's unique quick-change connector system allows the swift reconfiguration of the mixer from desktop, rack or flightcase mounting due to a hinged connector panel



Expansion option

A unique feature for such a compact mixer is the ability to expand the input capacity via the Sys-Link 2 option, which connects the mixer to another ALLEN & HEATH Sys-Link compatible console. The auxiliary and output busses are linked into the 'master' console, while PFL / AFL circuits are also connected, allowing the engineer to monitor both surfaces.

Digital FX (WZ3:16 and 12 only)

2 stereo effects engines are provided operating in either single or dual mode, providing 16 reverb, echo and other effects editable via MIDI. External effects can even be mixed in through the same return channel, thus saving precious inputs. Download FX editing software from www.allen-heath.com



Stereos

On **WZ3:14:4:2** and **WZ3:12:2**, two dual stereo channels with TRS connectors and independent gain controls are included for FX returns and stereo line sources.

One stereo input can feed straight to LR, so providing extra returns. The stereo channels are furnished with 2 band EQ and can be routed to all 6 auxiliary sends.

On the **WZ3:20:5**, 8 dual stereo input channels are provided, each with TRS jack 'A' and XLR 'B' inputs. These may be mixed together into the channel or mode switched to provide up to 16 independent sources to the mix - ideal for multi-stereo keyboard and recording applications.

TECHNICAL SPECIFICATIONS

Operating Levels

Channels	0dBu Headroom +21dB
Mix	-2dBu Headroom +23dB
Main Outputs	+4dBu Headroom +22dB
Maximum output	+26dBu
Mic Pre-Amp Sensitivity	-60 to +10dBu
Stereo input sensitivity	-16 to +20dBu

Frequency Response (20Hz-30kHz)

Mic to Main output (+40 dB)	+0/-0.5dB
Line to Main output (0dB)	+0/-0.5dB

Distortion at 1kHz +14dBu out

THD + Noise (mic in +40dB gain)	<0.004%
THD + Noise (line in 0dB gain)	<0.004%

Common Mode Rejection @1kHz

Mic Input +40dB gain	>80dB
Mic Input with Pad 0dB gain	>50dB

Crosstalk @1kHz

Adjacent Channel	<-90dB
Mute Shutoff	<-100dB
Fader Shutoff	<-90dB

Noise Performance (22Hz-22kHz unweighted)

Mic EIN with 150ohm source	-128dB
Residual output noise - main outputs	<-95dBu
Main Mix noise	<-83dBu (87dB S/N)

Connection Impedances

Mic Inputs	2k ohms
Line Inputs	>10k ohms
Outputs	<75 ohms

Equalisation

Gain (each band)	+/- 15dB
Mono Channel Low Frequency	60Hz Shelf
Mono Channel Low Mid Frequency	35Hz - 1kHz Q=1.8
Mono Channel High Mid Frequency	500Hz-15kHz Q=1.8
Mono Channel High Frequency	12kHz Shelf
Filter (mono input)	100Hz switchable

Metering

Reading referred to Main outputs	0VU = +4dBu
Peak indication threshold	5dB before clipping

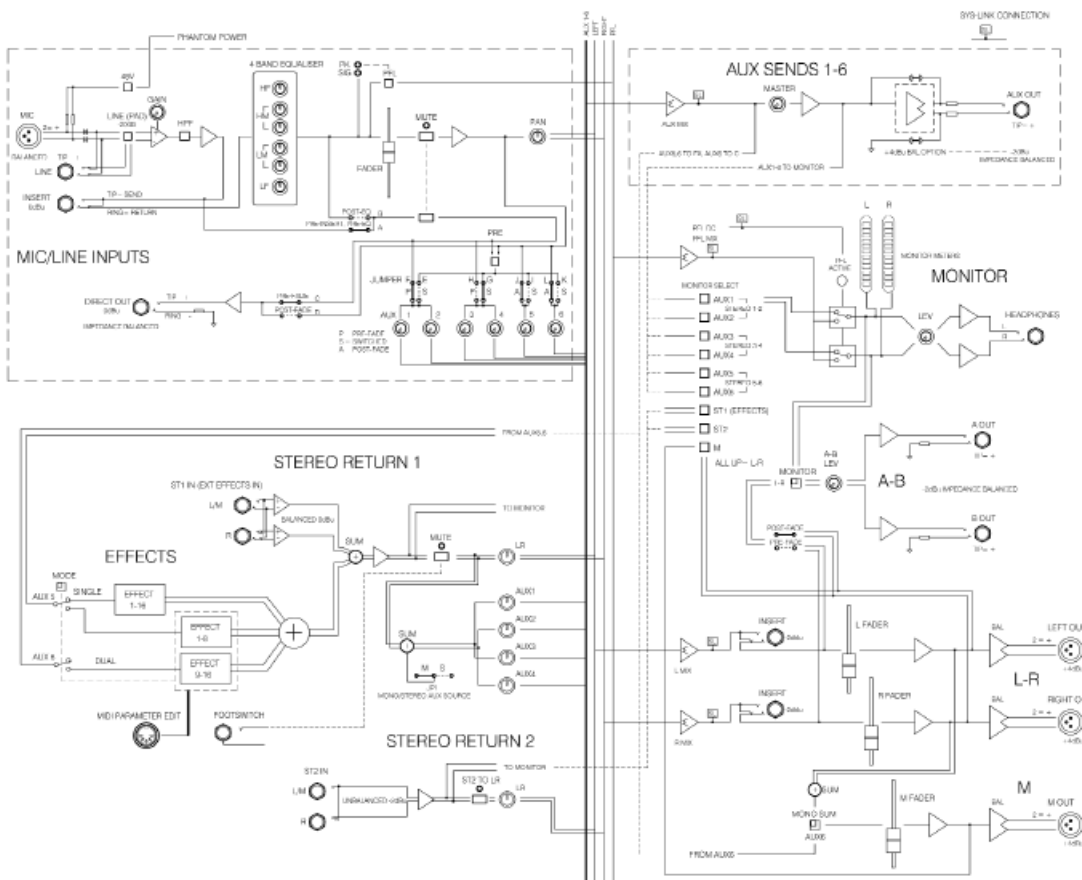
System

Lamp connectors	1 x 4pin XLR-F
Power supply	Internal / MPS12 option
Power Consumption	35W Max



WZ³ 16:2





FEATURES

The **WZ³:16:2** is a versatile, easy to use 16 mic/line channel mixer - the next generation of this industry standard multi-purpose design.

- **16 mic/line inputs** with balanced XLR/TRS jack, and direct output
- **100mm Faders** - throughout
- **4-band EQ** - comprehensive equalisation with 2 sweepable mids
- **6 auxiliary sends** - 2 pre, 2 switched, 2 post fade (may be reconfigured)
- **2 stereo returns** - on TRS jack
- **Dedicated mono output fader** with innovative mode for control of aux fed subs
- **Independent A-B output** to feed any number of applications including a 2-track recorder, monitor foldback or speaker fills
- **Metering** - Twin 3-colour, 12 segment bargraph follow selected monitor source, channel signal and peak LEDs

MECHANICAL SPECIFICATIONS

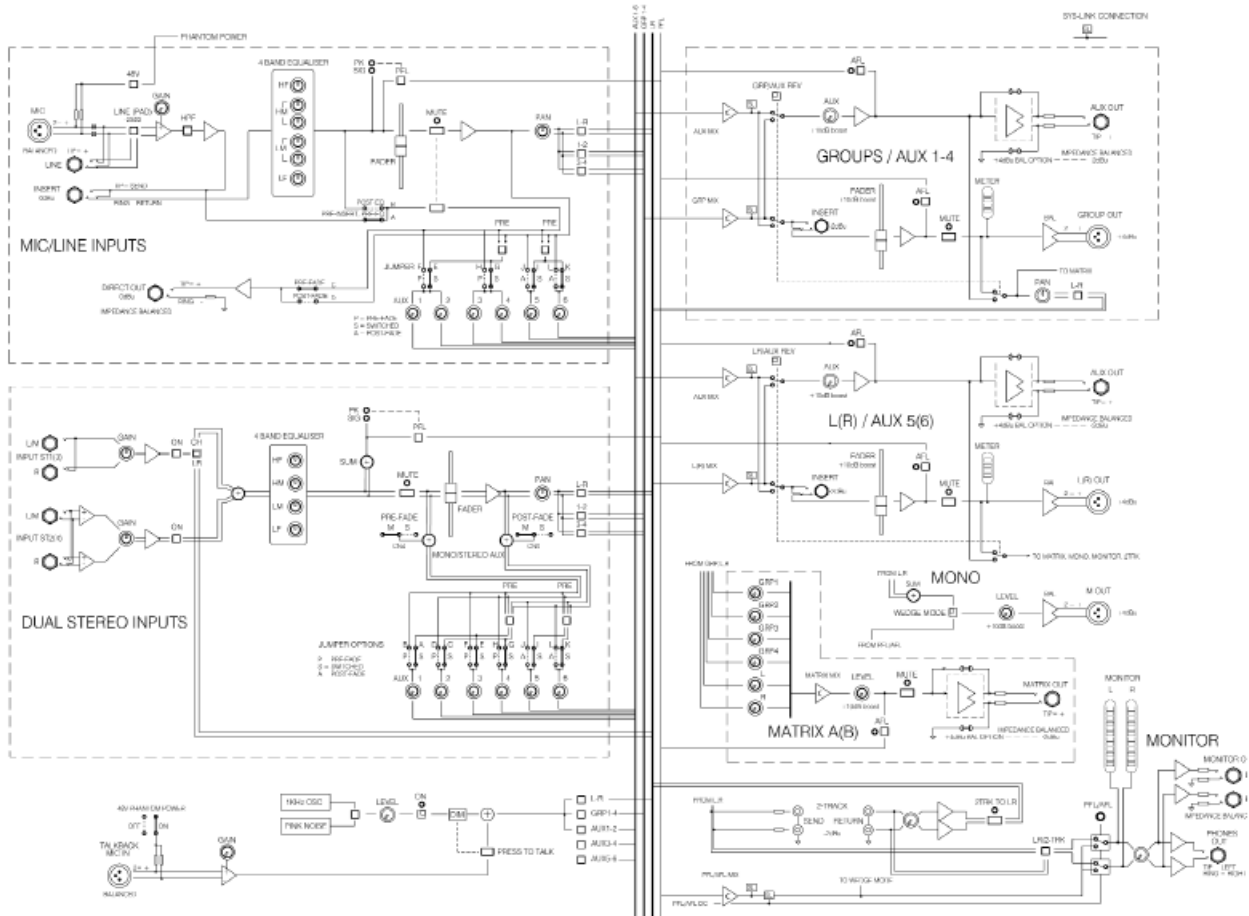
	Without side trims for rackmount - mm(“)	Deskmount with side trims - mm(“)
Width	483 (19)	507 (20)
Height	194 (8)	195 (8)
Depth	530 (21)	135 (5)
Weight	10kg (22lbs)	10kg (22lbs)

- **Onboard FX** - 16 FX programs with external editing software connected via MIDI
- **Pluggable jumpers** for user configurability
- **Mounting** - desk or rack mountable, with rotating connector pod
- **Sys-Link 2 output option** - for connection to other **ALLEN&HEATH** Sys-Link compatible consoles



WZ³ 14:4:2





FEATURES

The **WZ³:14:4:2** is a remarkably dynamic compact mixer, with multi-functionality that allows it to be used for FOH, monitors, and live or studio recording.

- **10 mic/line inputs** with balanced XLR/TRS jack and direct output
- **Dual functionality** - the aux master section can be reversed to provide up to 6 monitor sends, while the mono control and XLR can convert to an engineer's listen wedge output
- **6 auxiliary sends** - switchable pre/post, all can be accessed at the same time
- **4 audio groups** - with panned sub grouping and feed to the matrix
- **2 dual stereo inputs** each with 4-band EQ, separate gain and 'on' switches. Two may be routed direct to LR to provide 4 independent stereo returns
- **4-band EQ** - comprehensive equalisation with 2 sweepable mids
- **6x2 matrix** - fed from groups 1-4 and LR, featuring an illuminated mute button, level control, and AFL. The matrix can be used to create custom mixes for recording, in-ear monitors, or PA loudspeaker zones.
- **Oscillator and pink noise generator** for line-up and speaker testing

MECHANICAL SPECIFICATIONS

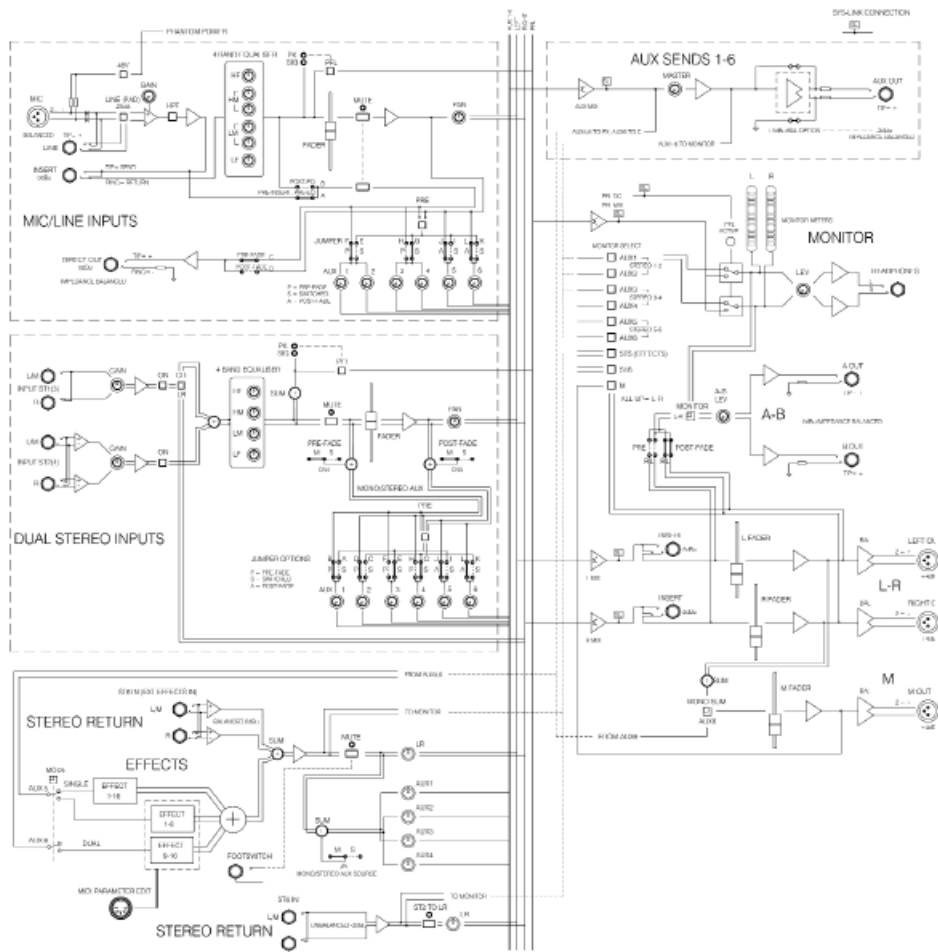
	Without side trims for rackmount - mm(“)	Deskmount with side trims - mm(“)
Width	483 (19)	507 (20)
Height	194 (8)	195 (8)
Depth	530 (21)	135 (5)
Weight	10kg (22lbs)	10kg (22lbs)

- **Pluggable jumpers** - for user configurability
- **Mounting** - desk or rack mountable, with rotating connector pod
- **Sys-Link 2 input/output option** - for connection to other **ALLEN&HEATH** Sys-Link compatible consoles



WZ³ 12:2





FEATURES

With the same functionality as its larger sister models, the **WZ3:12:2** embodies the ultimate multi-purpose compact mixer, with 2 extra dual stereo inputs for stereo sources such as keyboards or CD players.

- **8 mic/line inputs** with balanced XLR/TRS jack, and direct output
- **100mm Faders** - throughout
- **2 dual stereo inputs** - featuring separate gain and 'on' switches allowing each input to be selected individually or mixed together. One pair on each channel can be routed directly to the L&R mix for even more versatility
- **4-band EQ** - comprehensive equalisation with 2 sweepable mids
- **6 auxiliary sends** - 2 pre, 2 switched, 2 post fade (may be reconfigured)
- **2 stereo returns** - on TRS jack
- **Pluggable jumpers** - for user configurability
- **Dedicated mono output fader** with innovative mode for control of aux fed subs
- **Independent A-B output** to feed any number of applications including a 2-track recorder, monitor foldback or speaker fills

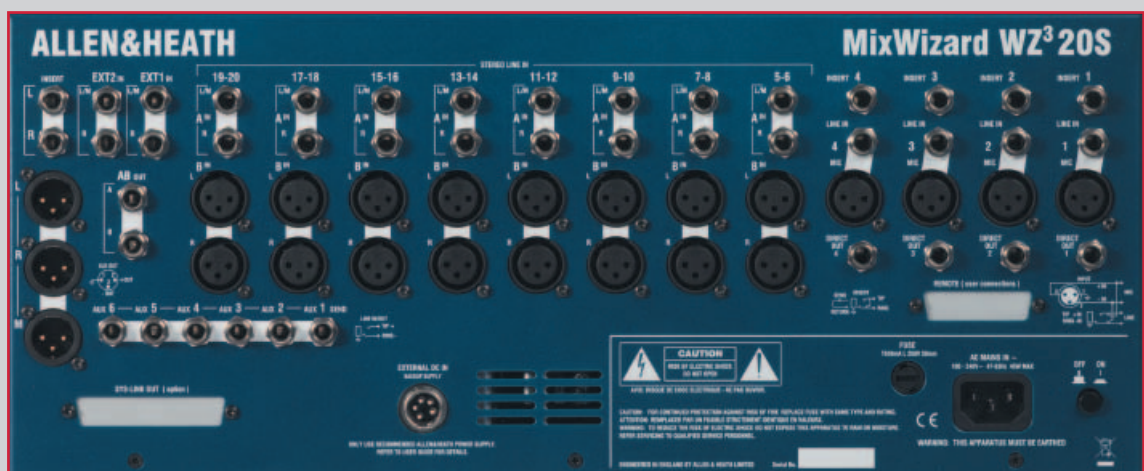
MECHANICAL SPECIFICATIONS

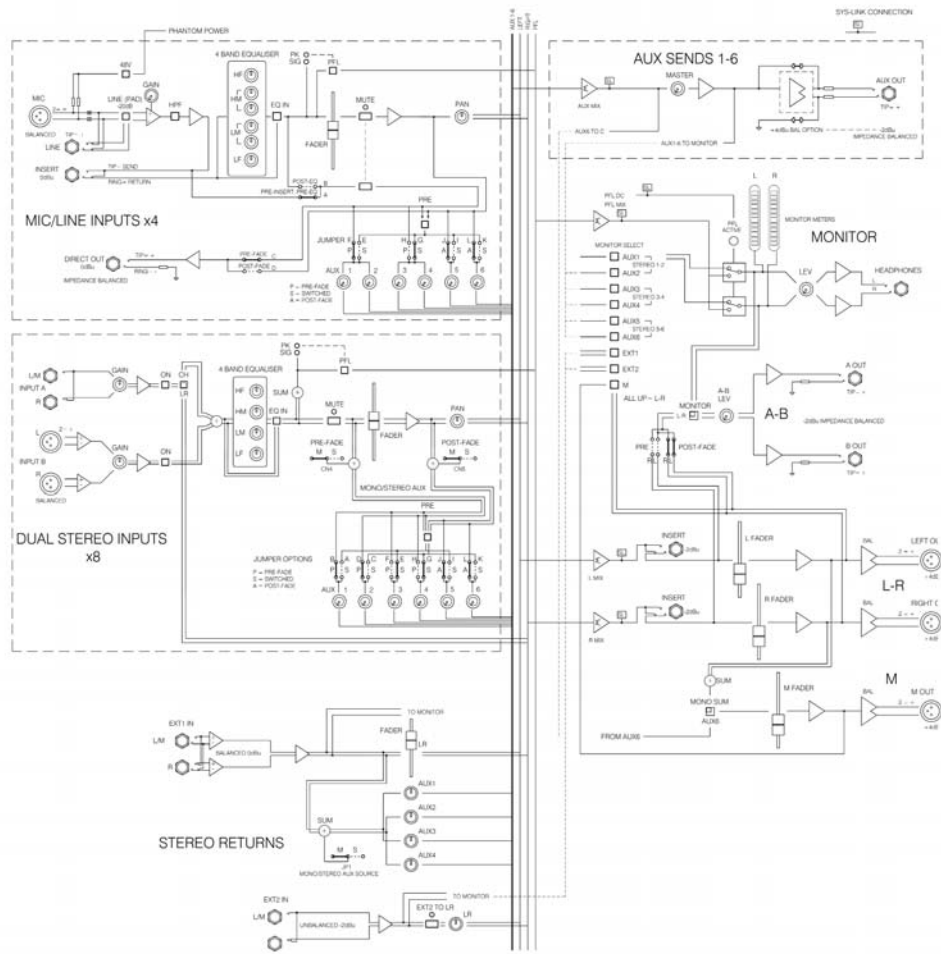
	Without side trims for rackmount - mm(“)	Deskmount with side trims - mm(“)
Width	483 (19)	507 (20)
Height	194 (8)	195 (8)
Depth	530 (21)	135 (5)
Weight	10kg (22lbs)	10kg (22lbs)

- **Onboard FX** - 16 FX programs with external editing software connected via MIDI
- **Mounting** - desk or rack mountable, with rotating connector pod
- **Sys-Link 2 output** option - for connection to other **ALLEN&HEATH** Sys-Link compatible consoles



WZ³20S





FEATURES

Now upgraded to **WZ³** status, the **205** remains a favourite mixer for small broadcast studios, internet radio stations, project studios and stereo sub-mixing anywhere. Featuring the new **WZ³** preamp and responsive EQ, the **WZ³205** provides 12 channels with no fewer than 4 mono and 18 stereo sources.

- **4 mic/line mono inputs** featuring the new **WZ³** low-noise preamp - with balanced XLR/TRS jacks and direct outputs
- **8 dual stereo input channels**, each with TRS jack 'A' and XLR 'B' inputs. These may be mixed together into the channel or mode switched to provide up to 16 independent sources to the mix - ideal for multi-stereo keyboard and recording applications
- **2 stereo returns** on TRS jack, one with fader and aux sends
- **Responsive 4-band EQ** with 2 sweepable mids and in/out switching
- **6 auxiliary sends** - switchable pre/post fader. All can be accessed at the same time
- **Internal option to configure auxes** for creating stereo mixes, for example recording stereo IEM or keyboard sub mixing to FOH
- **Dedicated mono output fader** with innovative mode for control of aux-fed subs, dedicated C mix, or other main mix feed

MECHANICAL SPECIFICATIONS

	Without side trims for rackmount - mm(“)	Deskmount with side trims - mm(“)
Width	483 (19)	507 (20)
Height	194 (8)	195 (8)
Depth	530 (21)	135 (5)
Weight	10kg (22lbs)	10kg (22lbs)

- **Stereo AB output** for additional mix or local monitor output
- **Sys-Link 2 output option** for connection to other **ALLEN&HEATH** Sys-Link compatible consoles
- **100mm faders** on all input channels and main outputs
- **User wiring options** for fader start and mic live monitor muting using the AB output

