

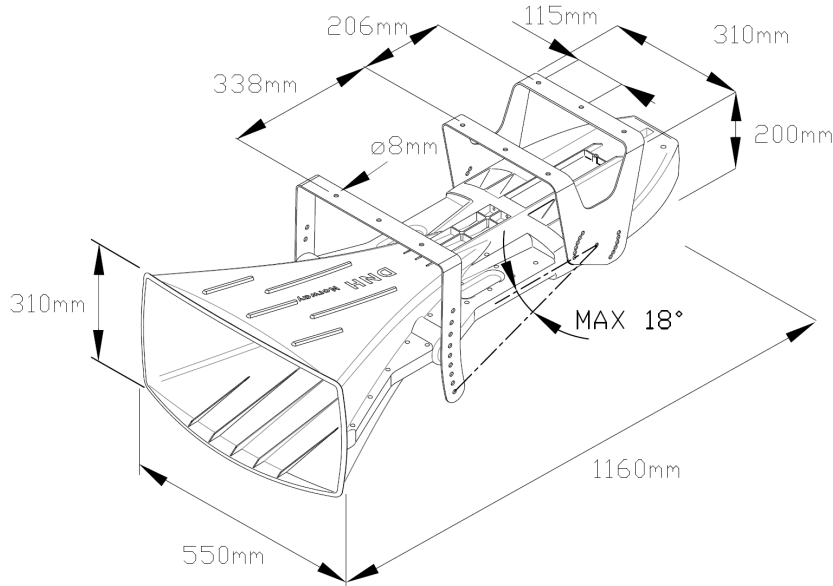


**DNH**  
HEAD OFFICE, NORWAY

## Tunnel 500/DUP-40(T)

Morrison's Public Address  
Phone: 040742822  
Email: sales@morrison sav.com.au

ISO 9001 CERTIFIED



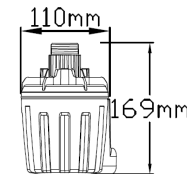
70/100 volt Combined Transformer:

6 : 8 70 Volt line  
6 : 9 100 Volt line

Secondary nominal tapings:

1 : 4 40,0 W  
1 : 3 23,0 W  
2 : 4 15,0 W  
1 : 2 12,0 W  
3 : 4 6,0 W  
2 : 3 3,0 W

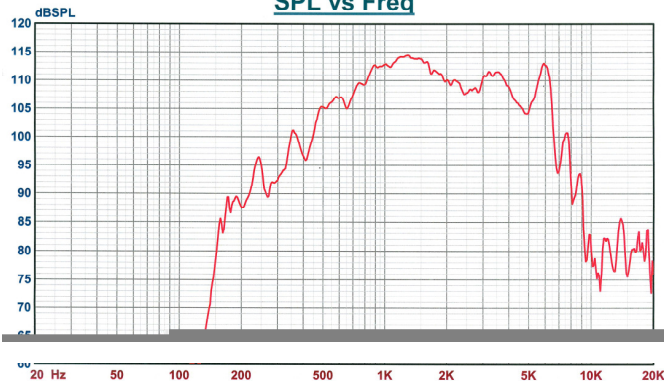
DUP-40



6 = White, 8 = Green  
9 = Red

Sound pressure levels at different frequencies at 1W/1m  
Sine Wave anechoic chamber with Dup-40

**SPL vs Freq**



Material / Color .....Plastic V0 Halogen free / Black  
Mounting .....2 brackets  
Brackets material..... 316TI  
Termination ..... Inside ceramic terminal  
Weight .....13 kg  
IP-rating ..... 67  
Max / min amb temp .....90 °C / -40 °C  
Rated / max power..... 40 W / 60 W  
SPL 1W/1m.....114 dB  
SPL rated power ( 40 W ).....129 dB  
Effective freq range with horn .....350 – 7000 Hz  
Dispersion (-6dB) 1kHz / 4kHz..... 40°/ 35°  
Options .....Color , Imp. and transformers

### Installation, Operation and Maintenance Procedures

- When using the DUP-40 driver use enclosed gasket. Screw driver unit into Tunnel – 500, UNEF 1 3/8 -18 thread.
- For optimum performance, always use the correct voltage / power and operate within the frequency limits as stated.
- To change the position of the loudspeaker please adjust the brackets (by loosening / tightening the screws) as required.
- This loudspeaker is supplied with a 2 year warranty against defective materials and workmanship.
- Tunnel 500 with DUP-40 is designed to be very directional and therefore excellent for tunnel applications.



DNH reserves the right to alter specifications without notice

Rev. 19.8.2011