

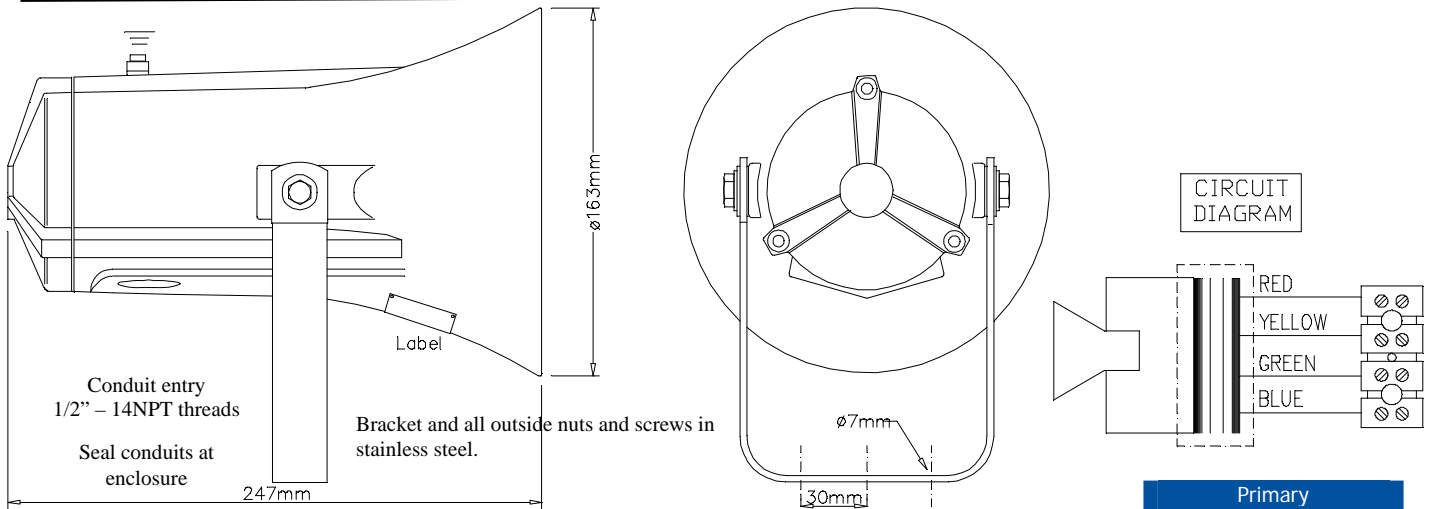


# DNH

## HS-15ExdFM(T)

Morrison's Public Address  
Phone: 0407442822  
Email: sales@morrison sav.com.au

ISO 9001 CERTIFIED

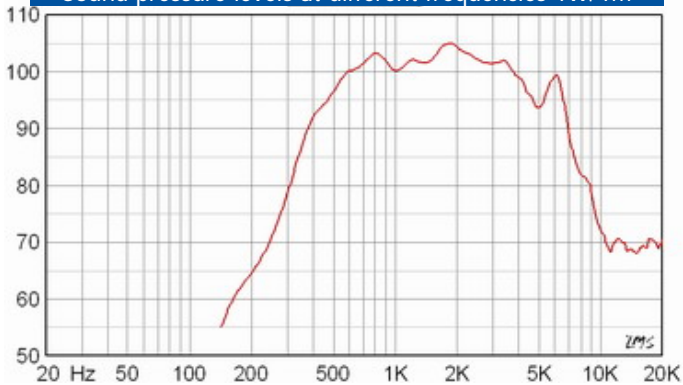


APPROVED

Certified by / Certification code: Factory Mutual approved – Class I, Div. 1, Groups B, C and D  
IP-67 (Not including acidic atmospheres)

Primary nominal tapings	
1 : 2	15,0 W
2 : 3	7,5 W
3 : 4	3,5 W
1 : 3	2,7 W
2 : 4	1,3 W
1 : 4	0,8 W

Sound pressure levels at different frequencies 1W/1m



Specifications

Material / Color	Aluminum alloy / RAL 7035
Mounting	Bracket
Termination	Screw terminals
Weight w/transformer	2,8 kg
IP-rating	67
Max. / min. amb. temp	40 °C / -20 °C
Rated / max. power	15W / 15W
SPL 1W/1m	105 dB
SPL rated power	116 dB
Effective freq. range	410 – 7000 Hz
Dispersion (-6dB) 1kHz / 4kHz	140 ° / 40 °
Directivity factor, Q(2kHz)	2,6
Options	Impedance, colors, labels

### Installation, Operation and Maintenance Procedures

- Fasten the bracket with 1-3 screws and be sure to use all washers in the same position that the loudspeaker is delivered with. (To isolate the main body from the bracket).
- To change the position of the loudspeaker, please adjust the bracket (by loosening / tightening the screws) as required.
- For optimum performance, always use the correct voltage / power and operate within the frequency limits as stated.
- Use only certified / specified cable glands and blanking plugs.
- Do not open the loudspeaker when energized.
- The aluminum surface of the loudspeaker should be regularly treated with paint at the same interval as with other similar outdoor equipment.
- Fasten lid with a torque of 2-3 Nm.
- If the Ex-loudspeaker is to be earthed, it must be done correctly using the specially marked screws.
- This loudspeaker is supplied with a 2 year warranty against defective workmanship.