

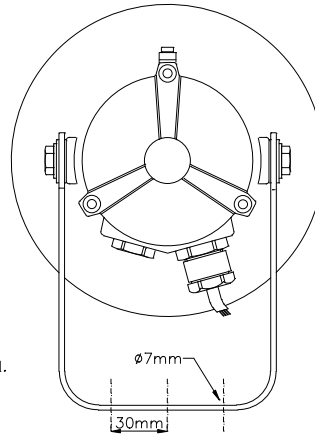
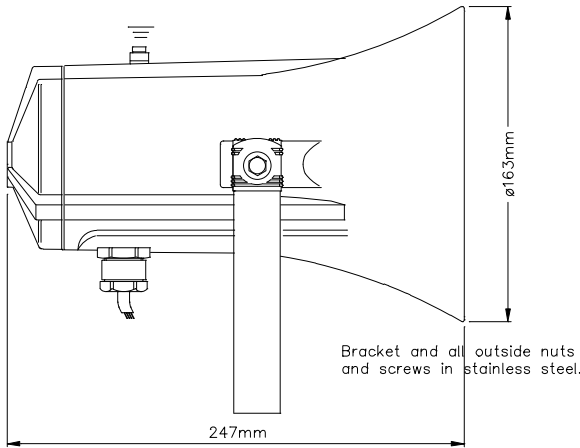


DNH

HS-15EExmNMF(T)

Morrison's Public Address
 Phone: 0407442822
 Email: sales@morrison sav.com.au

ISO 9001 CERTIFIED



100V line Primary nominal tapings BFOU(c) cable

Black (1) : Blue (1)	15,0 W
Blue (1) : Black (2)	7,5 W
Black (2) : Blue (2)	3,5 W
Black (1) : Black (2)	2,8 W
Blue (1) : Blue (2)	1,3 W
Black (1) : Blue (2)	0,7 W

Delivered with permanent encapsulated cable BFOU(c) or Radox Tenius. Length to be advised by customer

Certified by / Certification code / Number: Presafe / Ex db mb IIB+H2 T5 Gb / 17 ATEX 9535X II 2 G
 Certified by / Certification code / Number: Presafe / Ex db mb IIC T5 Gb / 17 ATEX 9535X II 2 G
 Certified by / Certification code / Number: Presafe / Ex tb IIIC T84°C Db / 17 ATEX 9535X II 2 G D

Sound pressure levels at 1W/1m IIB version



Specifications	IIB	IIC
Material / Color	Aluminum alloy / RAL7035	
Mounting	Bracket	
Termination	Cable	
Weight w/transformer	3,1 kg	
IP-rating	67	
Max. / min. amb. temp	60°C / -50°C	
Rated / max. power	15 W / 15 W	
SPL 1W/1m	105 dB	101 dB
SPL rated power	116 dB	113 dB
Effective freq. range	410 – 7000 Hz	420-7000
Dispersion (-6dB) 1kHz / 4kHz	140° / 40°	105° / 35°
Options	Impedances, colors, labels	

Installation, Operation and Maintenance Procedures

- Maintenance free model delivered with permanent encapsulated cable, connect according the required tapping.
- To change the position of the loudspeaker, please adjust the bracket (by loosening / tightening the screws) as required.
- The loudspeaker should be checked on a regular basis to avoid any build up of debris.
- The aluminum surface of the loudspeaker should be regularly treated with paint at the same interval as with other similar outdoor equipment.
- For optimum performance, always use the correct voltage / power and operate within the frequency limits as stated.
- Do not open loudspeaker when energized.
- This loudspeaker is supplied with two years warranty against defective workmanship.

DNH reserves the right to alter specifications without notice

